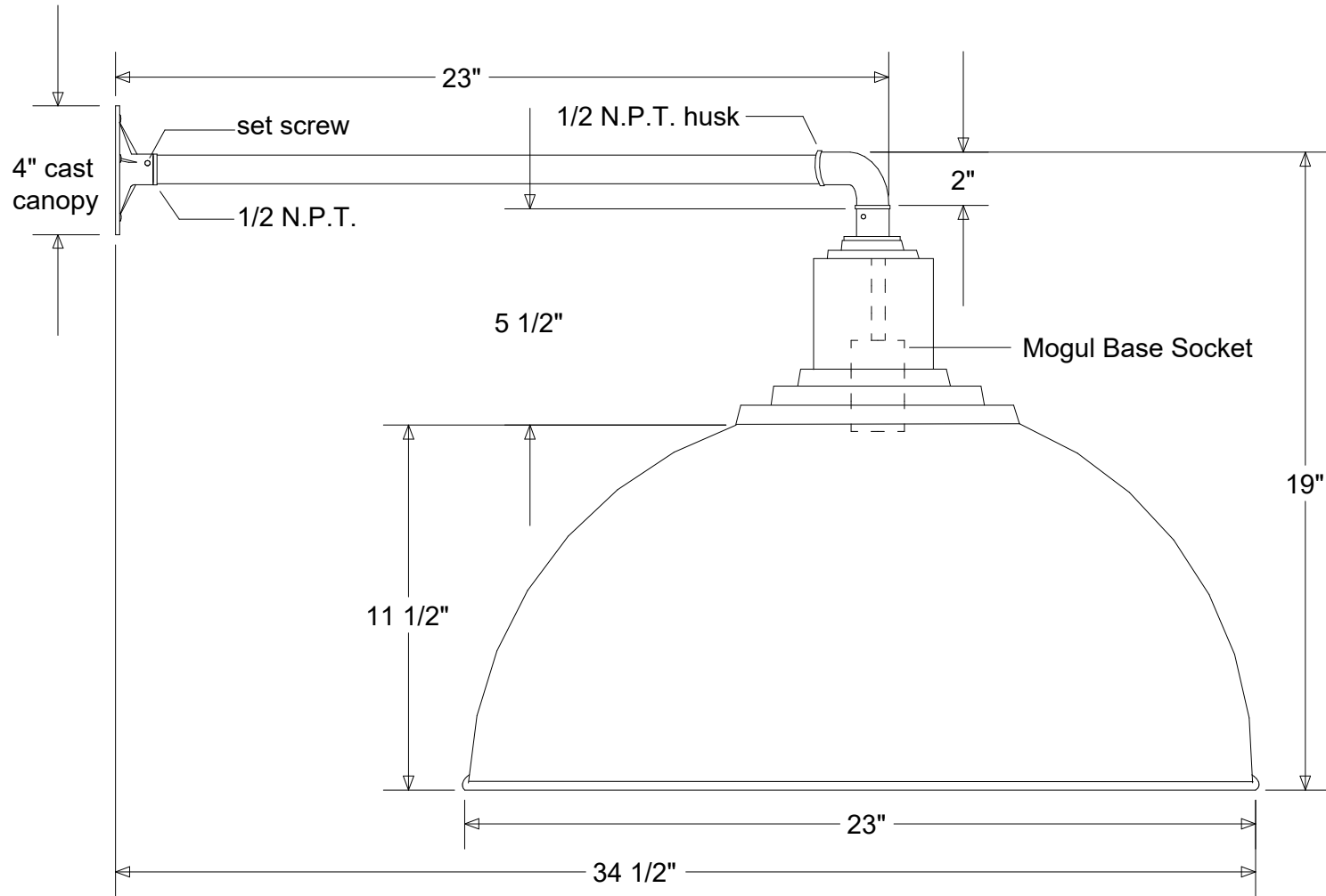


Primelite Manufacturing Corp

407 S Main St, Freeport, NY 11520
 Phone: 516-868-4411 | Fax: 516-868-4609
 sales@primelite-mfg.com | www.primelite-mfg.com

PART # #40/23-855	LAMP Incandescent LED	VOLTAGE 120 V	COLOR Powder Coated Paint
JOB NAME			TYPE Gooseneck



Lamp: Incandescent LED	Name	Date	Gooseneck #40/23-855			
	Drawn	CB				8/19
	Checked			23" Dia 23" Arm 34 1/2" Ext Mogul Base Socket		
	ENG Appr.					
	MFR Appr.					
Construction: Aluminum	QA		Size A	Drawing No. 0001	Rev A	
Unless Otherwise Specified: Dimensions in Inches	Weight		Scale	CAD File	Sheet 1 of 1	

Revisions				
Zone	Rev	Description	Date	Approved