



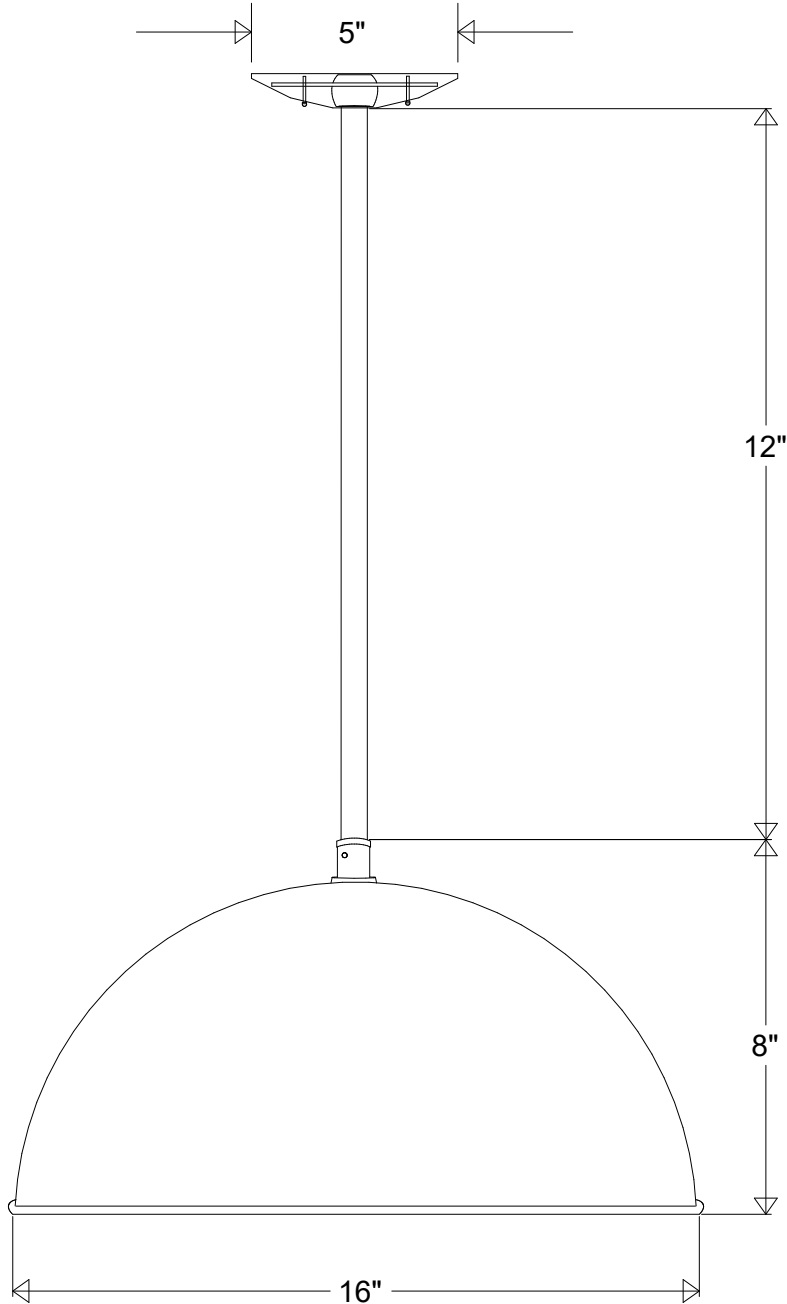
Primelite Manufacturing Corp

407 S Main St, Freeport, NY 11520

Phone: 516-868-4411 | Fax: 516-868-4609
 sales@primelite-mfg.com | www.primelite-mfg.com

PART # #39/16-18	LAMP Built-In LED	VOLTAGE 120 V	COLOR Powder Coated Paint
JOB NAME			TYPE Pendant

#1005 Ball
Aligner Canopy



Lamp: LED 22 Array
1800 Lumens | 100 W Inc Equivalent



Pendant #39/16-18 LED 22 Special

16" Dia | 12" Stem | Ball Aligner Canopy

Construction: Aluminum
Unless Otherwise Specified:
Dimensions in Inches

Name	Date			
Drawn	CB	1/2020		
Checked				
ENG Appr.				
MFR Appr.			Size	Drawing No.
QA			A	0001
Weight			Rev	A
		Scale	CAD File	Sheet
				1 of 1

Revisions				
Zone	Rev	Description	Date	Approved