

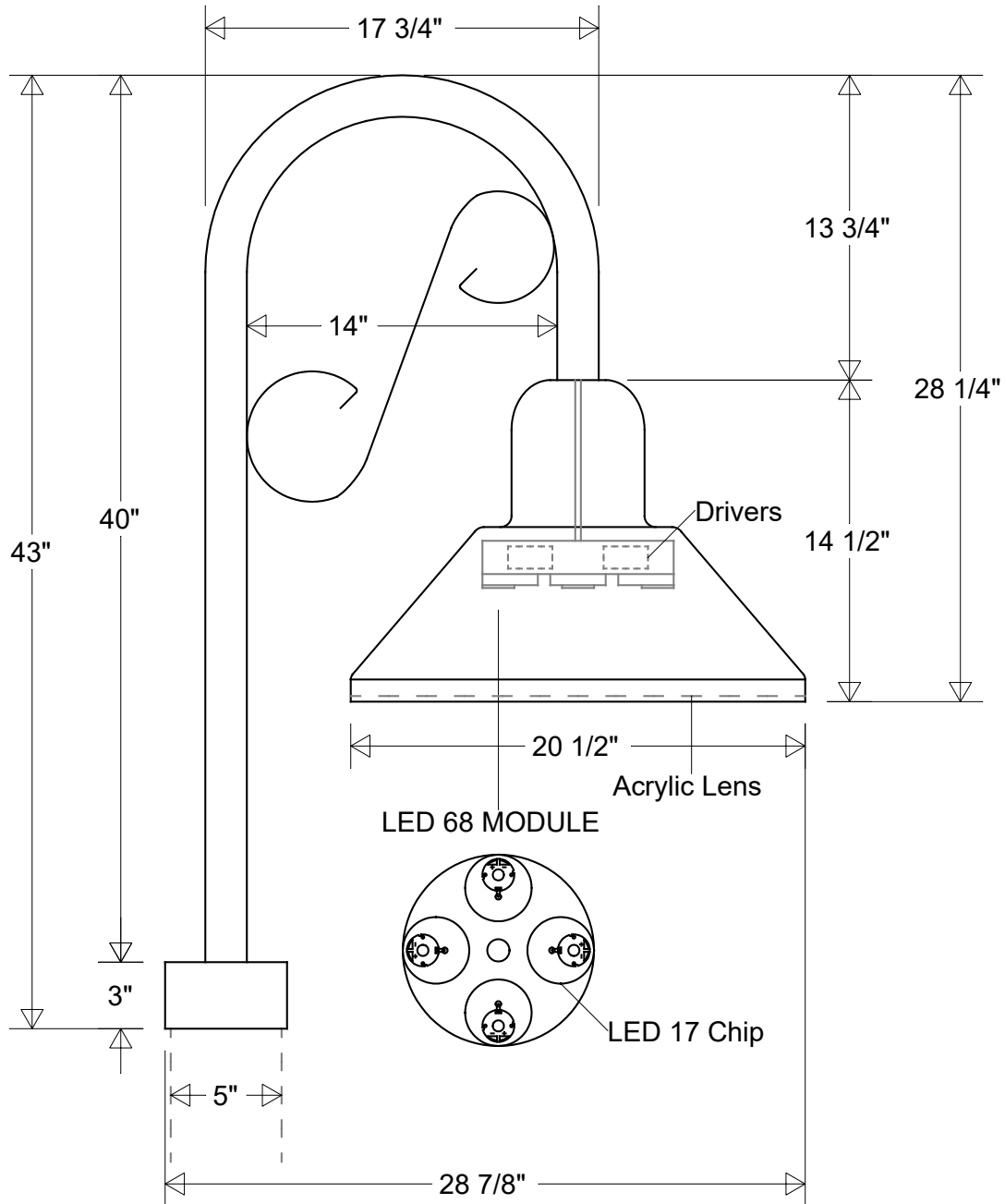


Primelite Manufacturing Corp

407 S Main St, Freeport, NY 11520

Phone: 516-868-4411 | Fax: 516-868-4609
 sales@primelite-mfg.com | www.primelite-mfg.com

PART # #37/20-1962 SCA Special	LAMP LED 68	VOLTAGE 120-277 V
JOB NAME	COLOR Powder Coated Paint	TYPE Post Light



Lamp: LED 68 MODULE

175 W MH Equivalent
 3K = 11920 Lumens
 4K = 12272 Lumens



	Initials	Date
Drawn	CB	08/2023
Checked		
ENG Appr.		
MFR Appr.		
QA		

#37/20-1962 SCA LED 68 Special

20 1/2" Dia | 28 7/8" Ext | 43" H | 28 1/4" Drop
 Fits 5" OD Round Mounts | Clear Acrylic Lens

Size	Drawing No.	Rev
A	0001	A

Revisions				
Zone	Rev	Description	Date	Appr

Construction:
 Aluminum | Acrylic Lens

Unless Otherwise Specified:
 Dimensions in Inches

Weight:

Scale

CAD File

Sheet

1 of 1