



Primelite Manufacturing Corp

407 S Main St, Freeport, NY 11520

Phone: 516-868-4411 | Fax: 516-868-4609
 sales@primelite-mfg.com | www.primelite-mfg.com

PART #

#37/16-1962

LAMP

Built-In LED

VOLTAGE

120 V

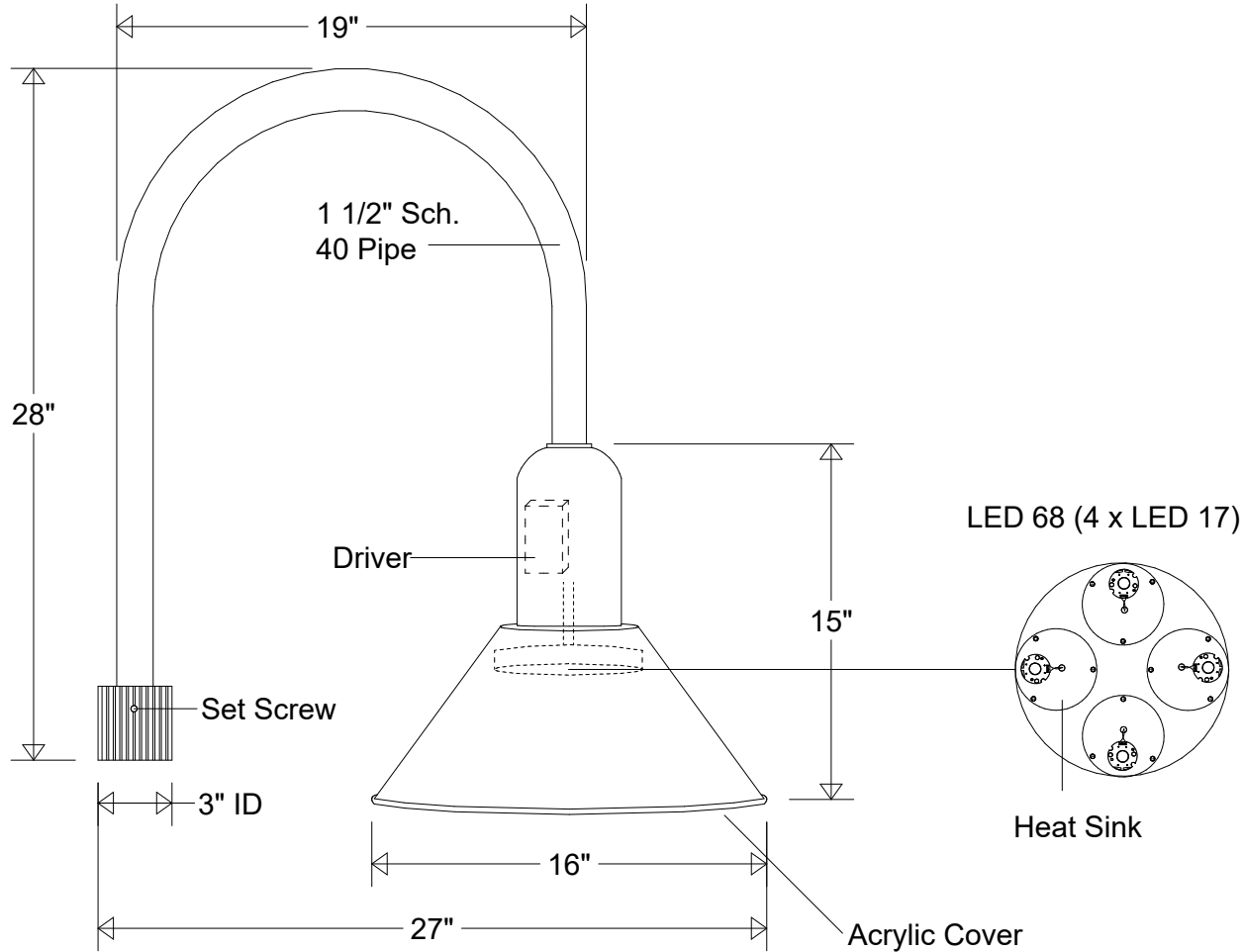
COLOR

Powder Coated Paint

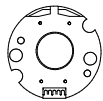
JOB NAME

TYPE

Extra Heavy
Gooseneck



Lamp: LED 68 (4 X LED 17 Chip)
7712 Lumens | 175 MH Equivalent



Name Date

Gooseneck #37/16-1962 LED 68

Drawn CB 8/2020

Checked

16" Dia | 27" Ext | 28" H
Heavy Gauge | Acrylic Cover

ENG Appr.

MFR Appr.

Size Drawing No. Rev

Revisions				
Zone	Rev	Description	Date	Approved

Construction: Aluminum | Acrylic

QA

A 0001 A

Unless Otherwise Specified:
Dimensions in Inches

Weight

Scale CAD File Sheet

1 of 1