



# Primelite Manufacturing Corp

407 S Main St, Freeport, NY 11520

Phone: 516-868-4411 | Fax: 516-868-4609

sales@primelite-mfg.com | www.primelite-mfg.com

PART #

#37/16-1962

LAMP

Built-In LED

VOLTAGE

120-277 V

COLOR

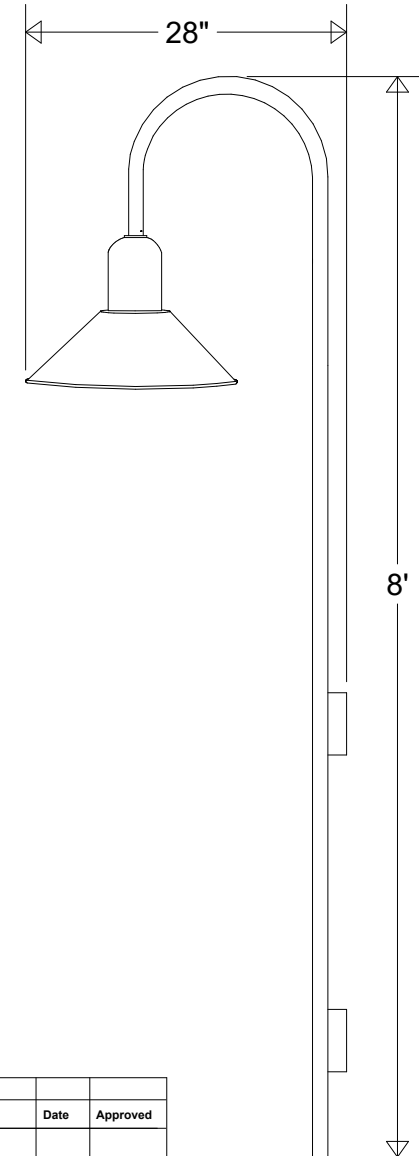
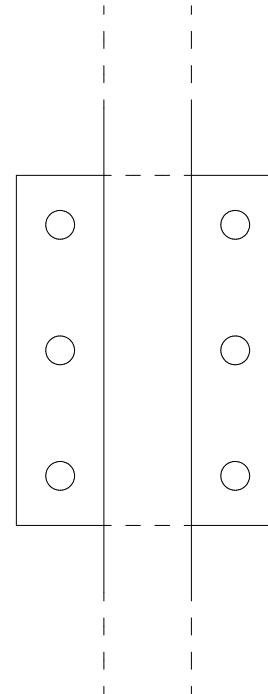
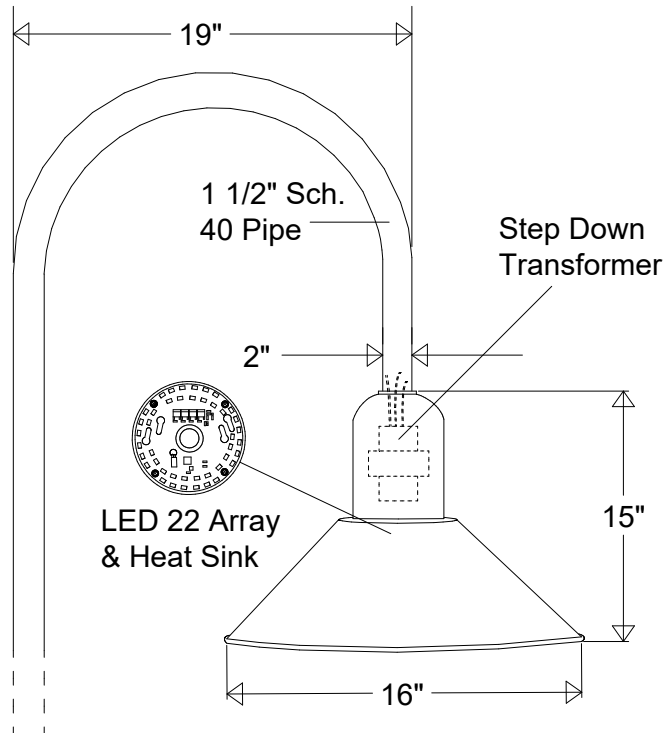
Powder Coated Paint

JOB NAME

TYPE

Heavy Gauge  
Gooseneck

## Wall Bracket (Supplied by Contractor)



Lamp: LED 22 Array  
1800 Lumens | 100 W Inc Equivalent



Name Date

Drawn CB 3/2020

Checked

ENG Appr.

MFR Appr.

QA

Weight

Gooseneck #37/16-1962 LED 22 Special

16" Dia | 8' H | 28" Ext

Size

**A**

Drawing No.

**0001**

Rev

**A**

Scale

CAD File

Sheet

**1 of 1**

Revisions

Zone	Rev	Description	Date	Approved