

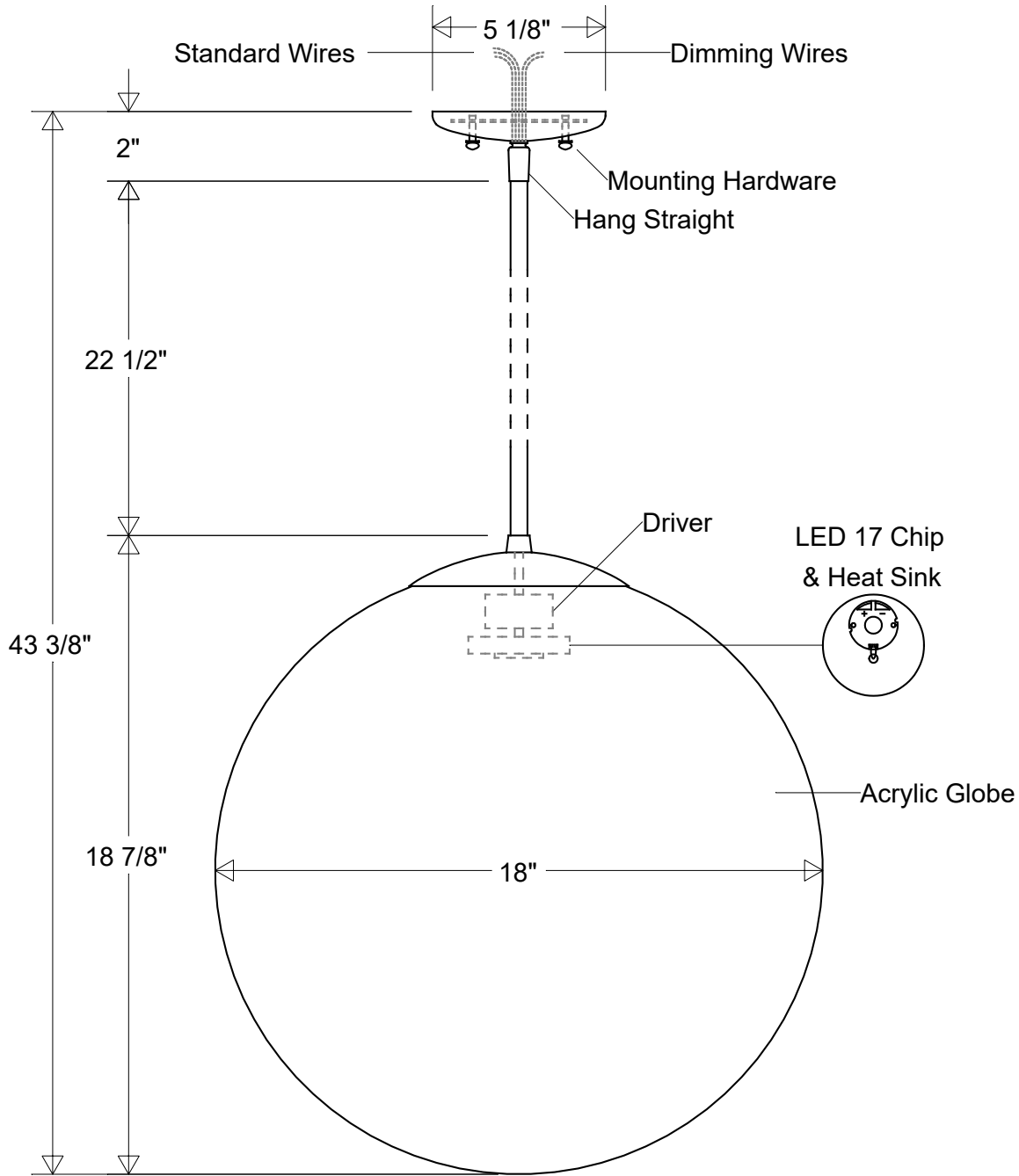


# Primelite Manufacturing Corp

407 S Main St, Freeport, NY 11520

Phone: 516-868-4411 | Fax: 516-868-4609  
 sales@primelite-mfg.com | www.primelite-mfg.com

|                         |                            |                             |                                     |
|-------------------------|----------------------------|-----------------------------|-------------------------------------|
| <b>PART #</b><br>#288 S | <b>LAMP</b><br>LED 17 Dimm | <b>VOLTAGE</b><br>120-277 V | <b>COLOR</b><br>Powder Coated Paint |
| <b>JOB NAME</b>         |                            |                             | <b>TYPE</b><br>Pendant              |



Lamp: LED 17 Chip  
 150 W Inc Equivalent  
 3K = 2980 Lumens  
 4K = 3068 Lumens



|                  |                 |             |
|------------------|-----------------|-------------|
|                  | <b>Initials</b> | <b>Date</b> |
| <b>Drawn</b>     | CB              | 06/2023     |
| <b>Checked</b>   |                 |             |
| <b>ENG Appr.</b> |                 |             |
| <b>MFR Appr.</b> |                 |             |
| <b>QA</b>        |                 |             |

## #288 24" Stem LED 17 Dimmable

18" Dia | Nominal 24" x 1/4" IPS Stem  
 Acrylic Globe: Smoke (/1) | White (/3) | Clear (/4)

|             |                    |            |
|-------------|--------------------|------------|
| <b>Size</b> | <b>Drawing No.</b> | <b>Rev</b> |
| <b>A</b>    | <b>0001</b>        | <b>A</b>   |

| Revisions |     |             |      |      |
|-----------|-----|-------------|------|------|
| Zone      | Rev | Description | Date | Appr |
|           |     |             |      |      |
|           |     |             |      |      |
|           |     |             |      |      |

**Construction:**  
 Aluminum | Acrylic

**Unless Otherwise Specified:**  
 Dimensions in Inches

**Weight:**

**Scale**      **CAD File**      **Sheet**  
**1 of 1**