

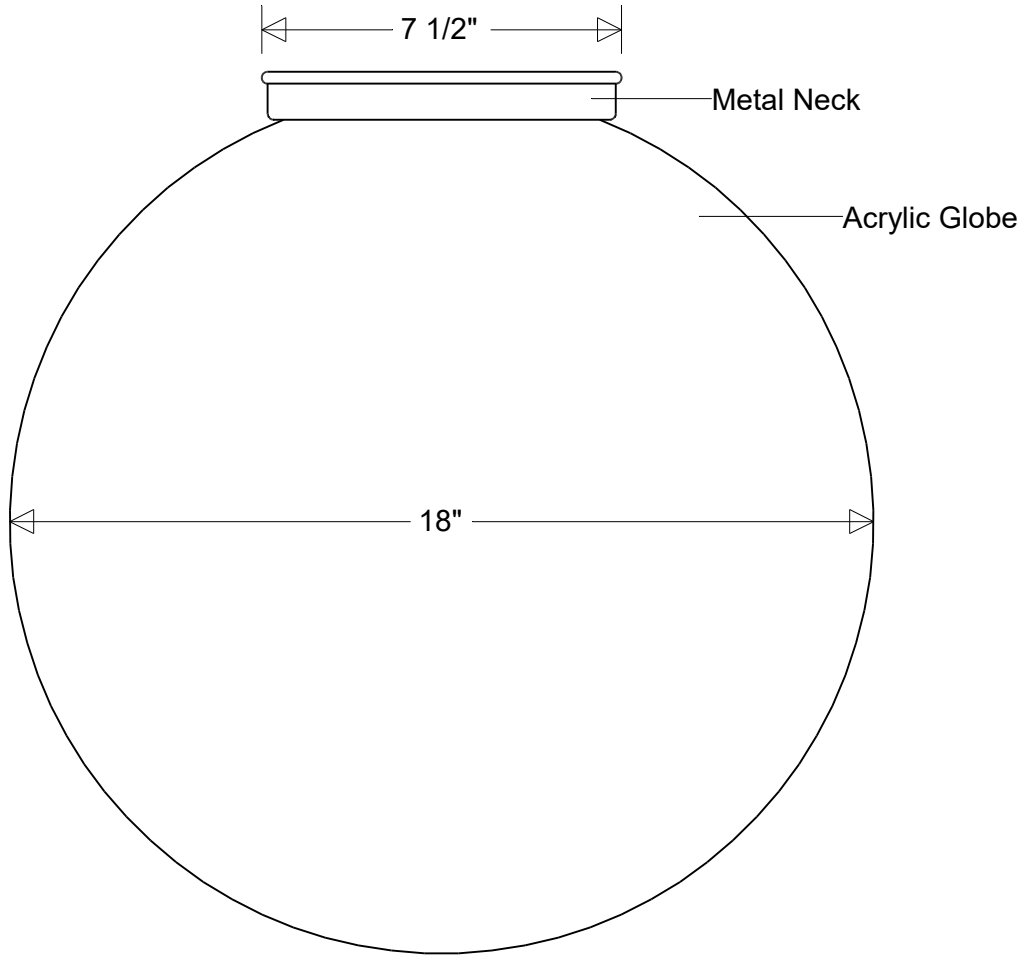


# Primelite Manufacturing Corp.

407 S Main St, Freeport, NY 11520  
Phone: (516) 868-4411 | Fax: (516) 868-4609  
sales@primelite-mfg.com | www.primelite-mfg.com

**PROUDLY MADE IN THE USA SINCE 1962!**  
**"SPECIALTIES ARE OUR SPECIALTY!"**

Job Info



## #288 GO w/ 7 1/2" Metal Neck

18" Dia | 7 1/2" Metal Neck

Globe: Smoke (/1) | White (/3) | Clear (/4) | Frost (/5)

Lamp: N/A

Finish:

29 Oven Baked  
Powder Coated Paints

Drawn:

CB  
11/2024

Scale:

1/4

Approvals

Voltage: N/A

Material:

Aluminum Neck  
Acrylic Globe

Note:

All dimensions are nominal.  
Actual dimensions may vary.