

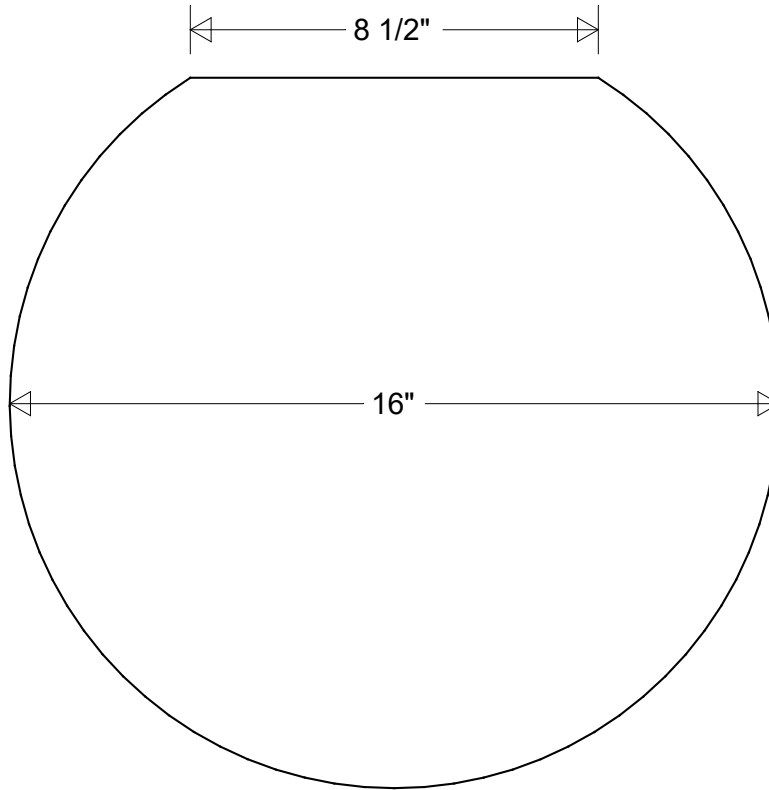


Primelite Manufacturing Corp

407 S Main St, Freeport, NY 11520

Phone: 516-868-4411 | Fax: 516-868-4609
 sales@primelite-mfg.com | www.primelite-mfg.com

PART # #286 GO	LAMP N/A	VOLTAGE N/A	PAINTED FINISH N/A
JOB NAME			TYPE Acrylic Neckless Globe Only



Lamp: N/A	Name	Date	Acrylic Neckless Globe Only #286 GO																																					
	Drawn	CB						11/2021																																
	Checked			16" Dia 8 1/2" Opening Acrylic Globe: Smoke (-1) White (-3) Clear (-4)																																				
	ENG Appr.																																							
	MFR Appr.			Size	Drawing No.	Rev	<table border="1"> <thead> <tr> <th colspan="5">Revisions</th> </tr> <tr> <th>Zone</th> <th>Rev</th> <th>Description</th> <th>Date</th> <th>Approved</th> </tr> </thead> <tbody> <tr><td> </td><td> </td><td> </td><td> </td><td> </td></tr> <tr><td> </td><td> </td><td> </td><td> </td><td> </td></tr> <tr><td> </td><td> </td><td> </td><td> </td><td> </td></tr> <tr><td> </td><td> </td><td> </td><td> </td><td> </td></tr> </tbody> </table>					Revisions					Zone	Rev	Description	Date	Approved																			
Revisions																																								
Zone	Rev	Description	Date	Approved																																				
Construction: Acrylic	QA		A	0001	A																																			
Unless Otherwise Specified: Dimensions in Inches	Weight		Scale	CAD File	Sheet	1 of 1																																		