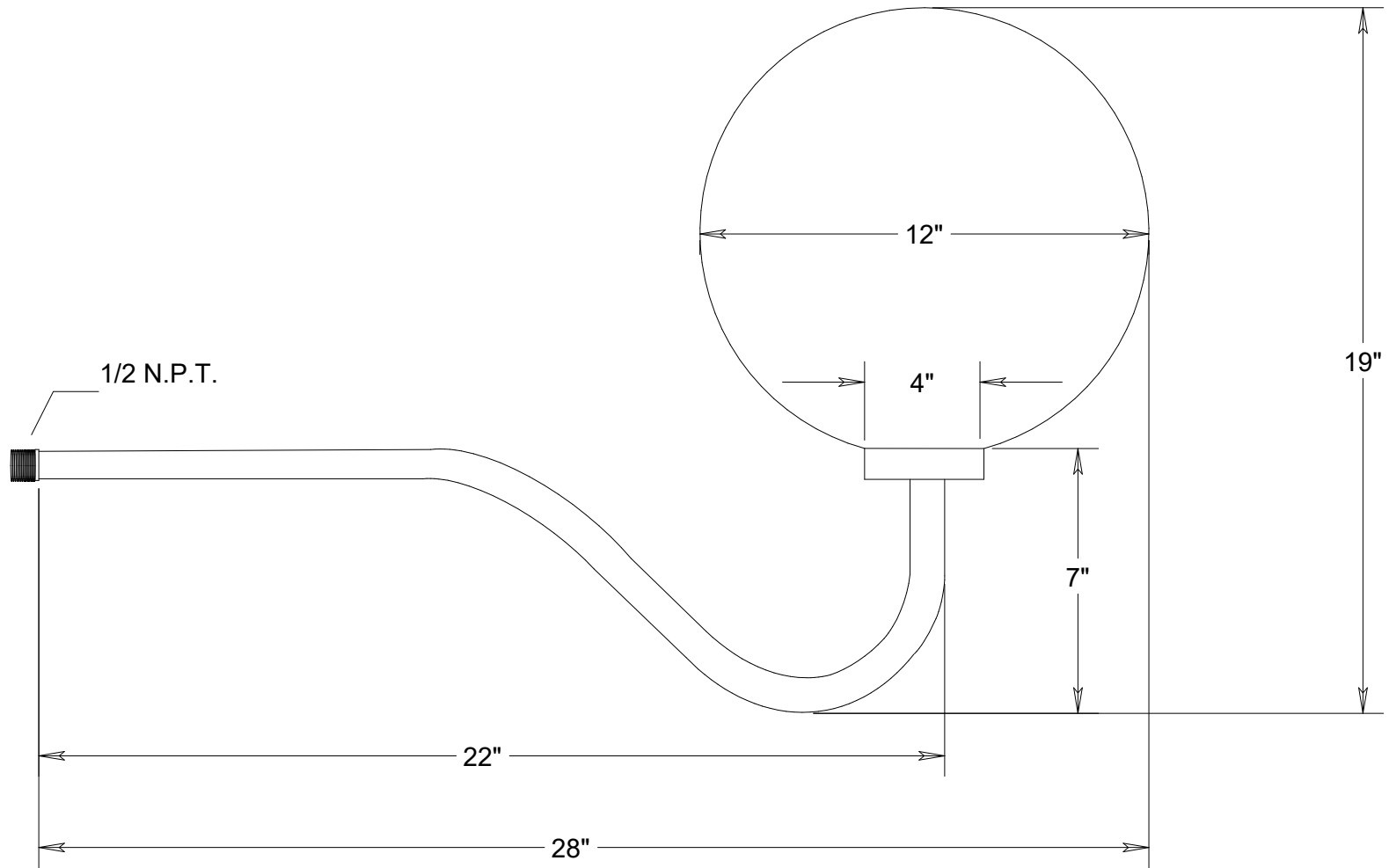



Primelite Manufacturing Corp

407 S Main St, Freeport, NY 11520

Phone: 516-868-4411 | Fax: 516-868-4609
 sales@primelite-mfg.com | www.primelite-mfg.com

| | | | |
|---------------------------|-----------------------------------|-------------------------|-------------------------------------|
| PART # #282/850 | LAMP Incandescent LED | VOLTAGE 120 V | COLOR Powder Coated Paint |
| JOB NAME | | | TYPE Gooseneck |



| | | | | | | |
|---|-------------|-------------|---------------------------------------|--|---------------|------|
| Lamp: Incandescent LED  1/100A | Name | Date | Gooseneck #282/850 Less Canopy | | | |
| | Drawn | CB | | | | 6/19 |
| | Checked | | | 12" Dia 19" Ht 28" Ext Blue Acrylic Globe | | |
| | ENG Appr. | | | | | |
| | MFR Appr. | | | | | |
| Construction: Aluminum | QA | | Size | Drawing No. | Rev | |
| Unless Otherwise Specified: Dimensions in Inches | Weight | | A | 0001 | A | |
| | | | Scale | CAD File | Sheet | |
| | | | | | 1 of 1 | |

| Revisions | | | | |
|-----------|-----|-------------|------|----------|
| Zone | Rev | Description | Date | Approved |
| | | | | |
| | | | | |
| | | | | |