



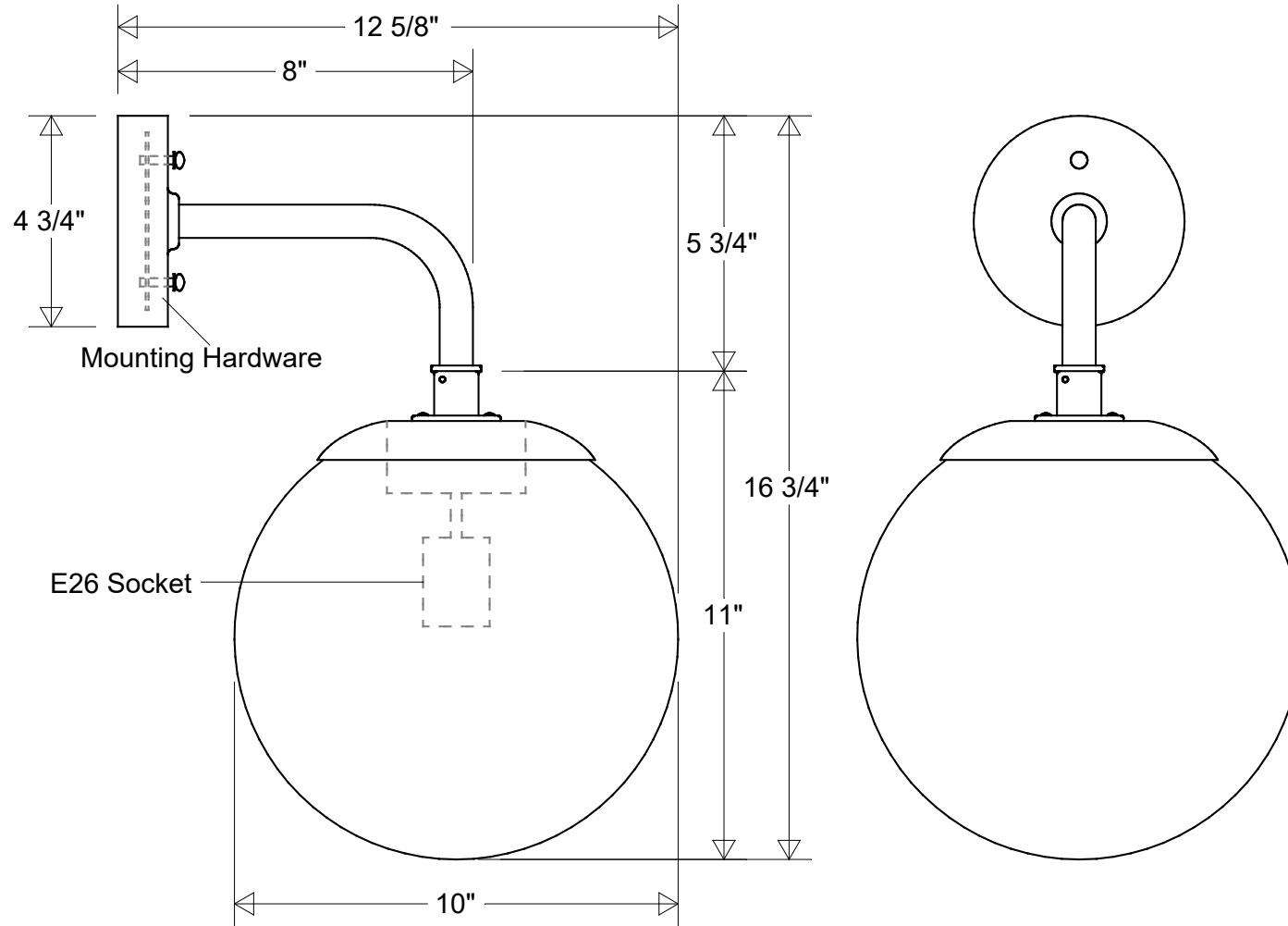
# Primelite Manufacturing Corp

407 S Main St, Freeport, NY 11520

Phone: 516-868-4411 | Fax: 516-868-4609

sales@primelite-mfg.com | www.primelite-mfg.com

<b>PART #</b> #280/870 Special	<b>LAMP</b> E26 Socket	<b>VOLTAGE</b> 120 V	<b>COLOR</b> Powder Coated Paint
<b>JOB NAME</b>			<b>TYPE</b> Wall Sconce



Lamp: E26 Socket  
Max Wattage: 100 W



	Initials	Date
Drawn	CB	09/2022
Checked		
ENG Appr.		
MFR Appr.		
QA		

## Wall Sconce #280/870 Special

10" Dia | 12 5/8" Ext | 16 3/4" H  
Acrylic Globe: Smoke (-1) | White (-3) | Clear (-4)

Revisions				
Zone	Rev	Description	Date	Appr

<b>Construction:</b> Aluminum   Acrylic	<b>Weight:</b>	Scale	CAD File	Sheet
<b>Unless Otherwise Specified:</b> Dimensions in Inches				<b>1 of 1</b>