



Primelite Manufacturing Corp

407 S Main St, Freeport, NY 11520

Phone: 516-868-4411 | Fax: 516-868-4609
 sales@primelite-mfg.com | www.primelite-mfg.com

PART #

#280/855

LAMP

Incandescent

VOLTAGE

120 V

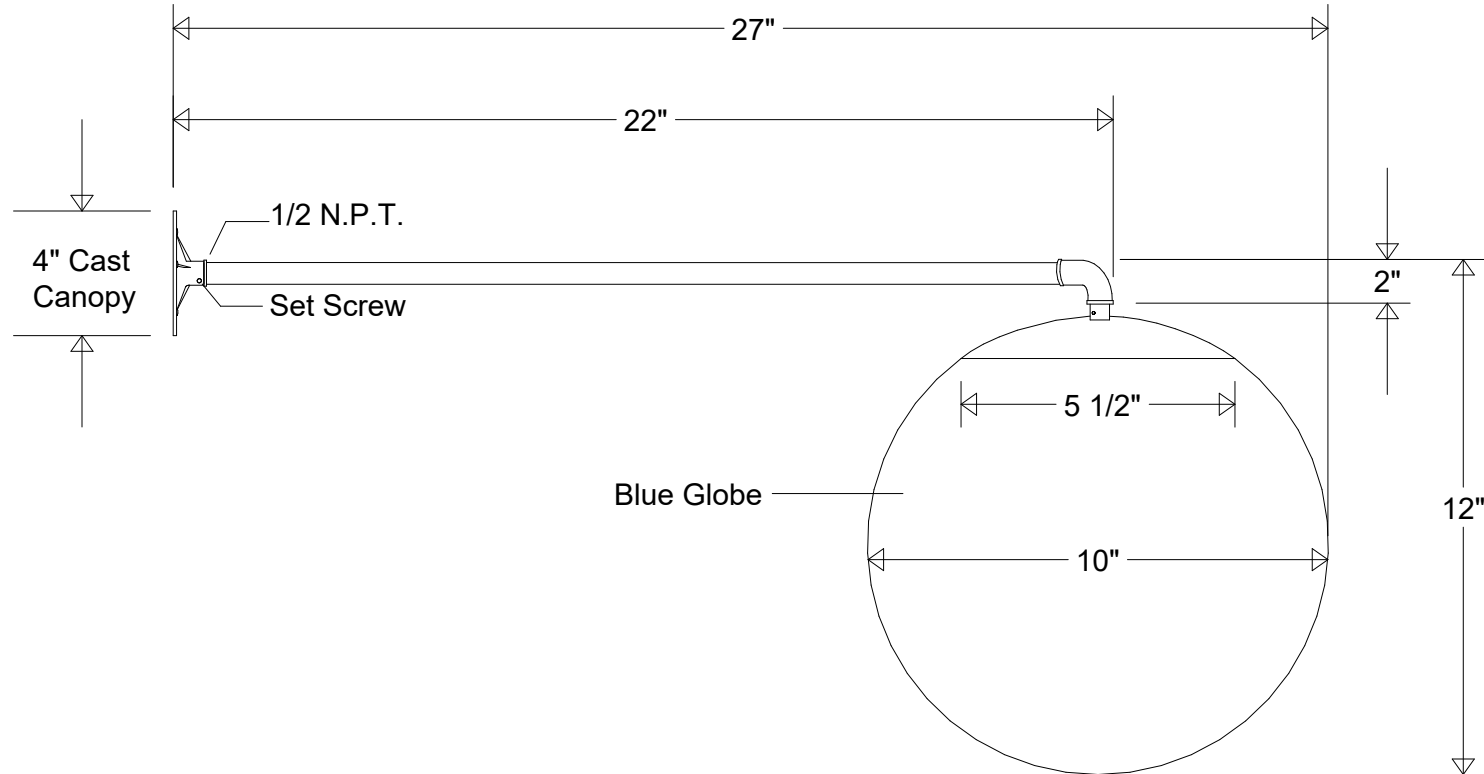
COLOR

Powder Coated Paint

JOB NAME

TYPE

Gooseneck



Lamp: Incandescent
 Max Wattage: 1/100A



Construction: Aluminum | Acrylic

Unless Otherwise Specified:
 Dimensions in Inches

Name

Date

Drawn

CB

9/2020

Checked

ENG Appr.

MFR Appr.

QA

Weight

Gooseneck #280/855 Special

10" Dia | 27" Ext | 12" H

Blue Acrylic Globe

Size

A

Drawing No.

0001

Rev

A

Scale

CAD File

Sheet

1 of 1

Revisions

Zone	Rev	Description	Date	Approved