



Primelite Manufacturing Corp

407 S Main St, Freeport, NY 11520

Phone: 516-868-4411 | Fax: 516-868-4609
 sales@primelite-mfg.com | www.primelite-mfg.com

PART #

#280/855

LAMP

Incandescent

VOLTAGE

120 V

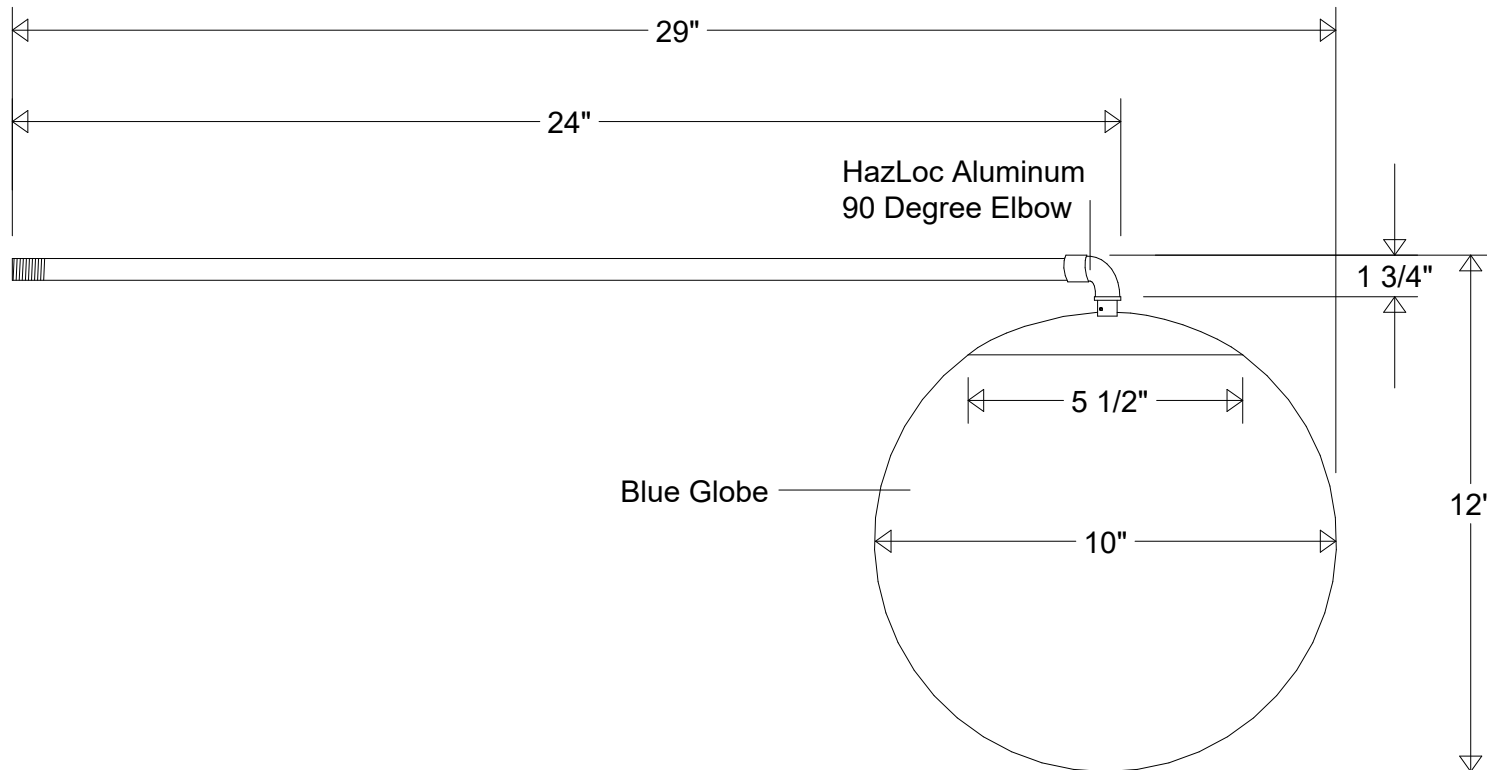
COLOR

Powder Coated Paint

JOB NAME

TYPE

Gooseneck



Lamp: Incandescent
 Max Wattage: 1/100A



Name

Date

Drawn CB 10/2020

Checked

ENG Appr.

MFR Appr.

QA

Weight

Gooseneck #280/855 Special

10" Dia | 29" Ext | 12" H | 24" Arm
 Blue Acrylic Globe | HazLoc Aluminum Elbow

Size **A** Drawing No. **0001** Rev **A**

Scale CAD File Sheet **1 of 1**

Revisions

Zone	Rev	Description	Date	Approved