



Primelite Manufacturing Corp

407 S Main St, Freeport, NY 11520

Phone: 516-868-4411 | Fax: 516-868-4609

sales@primelite-mfg.com | www.primelite-mfg.com

PART #

#280/614 Special

LAMP

E12 Socket

VOLTAGE

120 V

COLOR

Powder Coated Paint

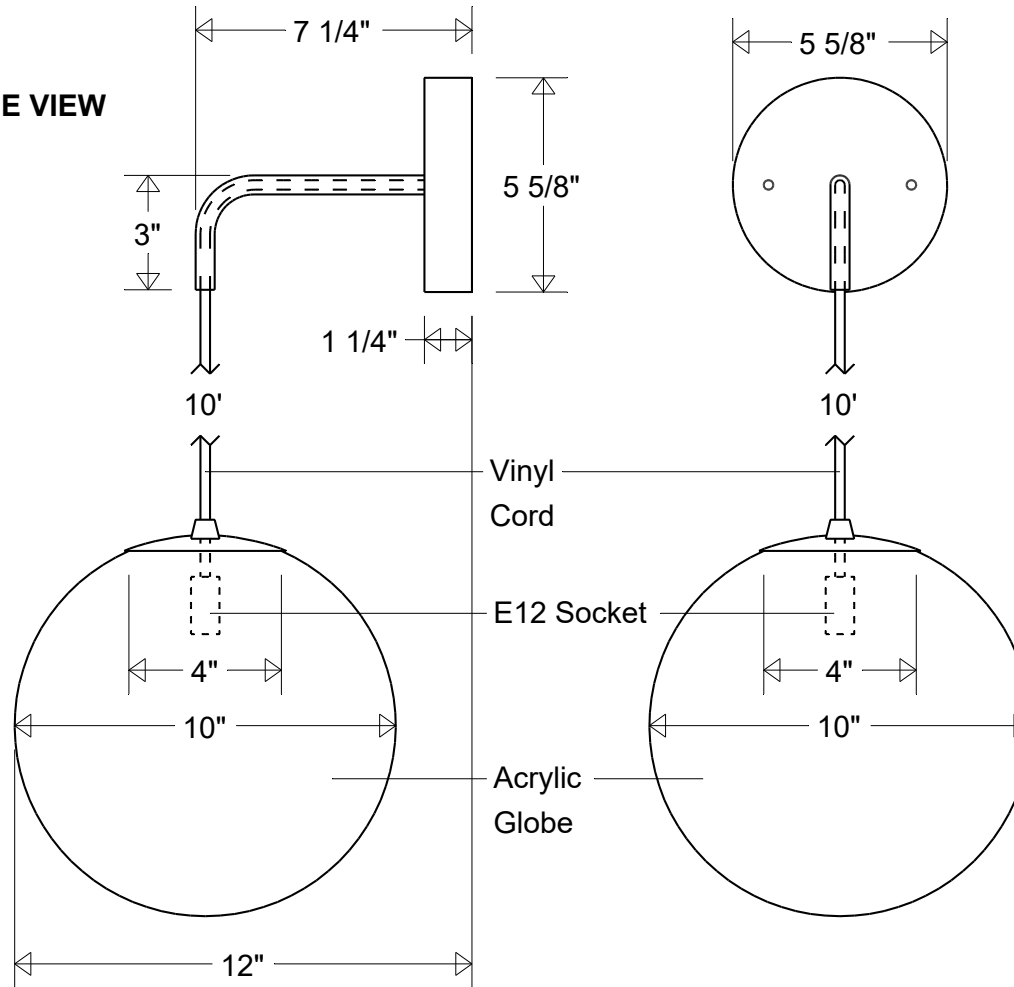
JOB NAME

TYPE

Wall Sconce

SIDE VIEW

FRONT VIEW



Lamp: E12 Socket
Max Wattage: 1/75W



Construction:
Aluminum | Vinyl | Acrylic

Unless Otherwise Specified:
Dimensions in Inches

Name

Date

Drawn CB 07/2021

Checked

ENG Appr.

MFR Appr.

QA

Weight

Wall Sconce #280/614 Special

10" Dia | 12" Ext | 10' Vinyl Cord
Acrylic Globe: Smoke (-1) | White (-3) | Clear (-4)

Size **A** Drawing No. **0001** Rev **A**

Scale CAD File Sheet **1 of 1**

Revisions

Zone	Rev	Description	Date	Approved