

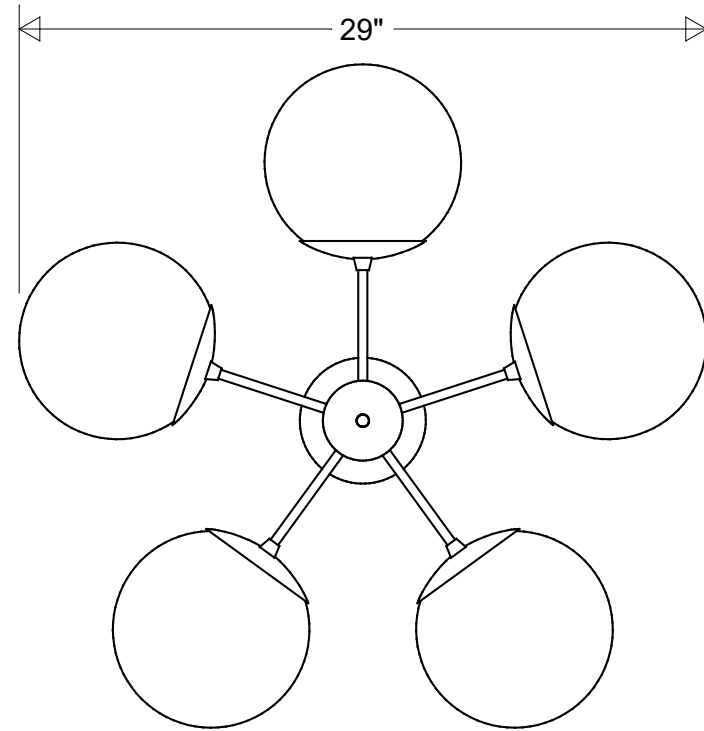
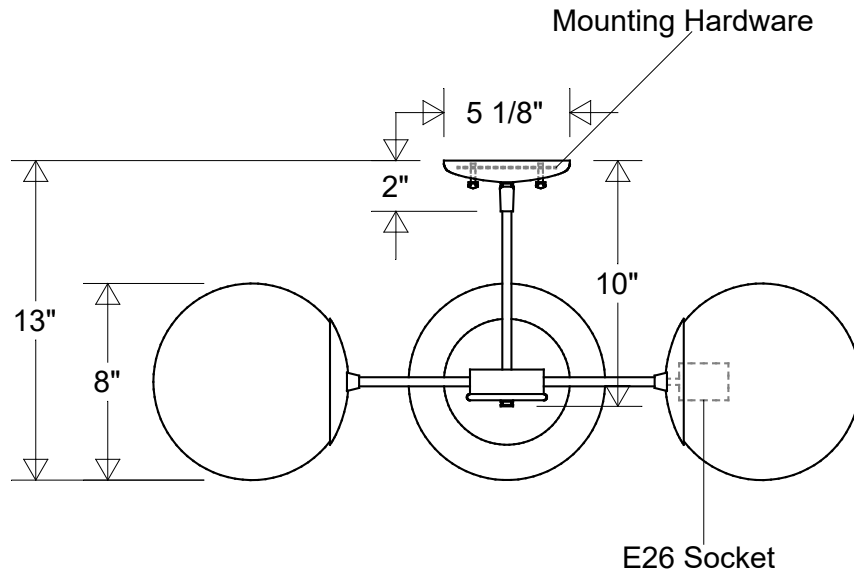



Primelite Manufacturing Corp

407 S Main St, Freeport, NY 11520

Phone: 516-868-4411 | Fax: 516-868-4609
 sales@primelite-mfg.com | www.primelite-mfg.com

PART # #2794/5 Special	LAMP E26 Socket	VOLTAGE 120 V	COLOR Powder Coated Paint
JOB NAME			TYPE Pendant



Lamp: E26 Socket Max Wattage: 75 W Total Sockets: 5 	Initials	Date	Pendant #2794/5 Special		
	Drawn	CB			11/2022
	Checked			8" Dia 13" H 29" W	
	ENG Appr.			Acrylic Globe: Smoke (-1) White (-3) Clear (-4)	
Construction: Aluminum Acrylic	MFR Appr.		Size	Drawing No.	Rev
	QA		A	0001	A
Unless Otherwise Specified: Dimensions in Inches	Weight:		Scale	CAD File	Sheet
					1 of 1

Revisions				
Zone	Rev	Description	Date	Appr