

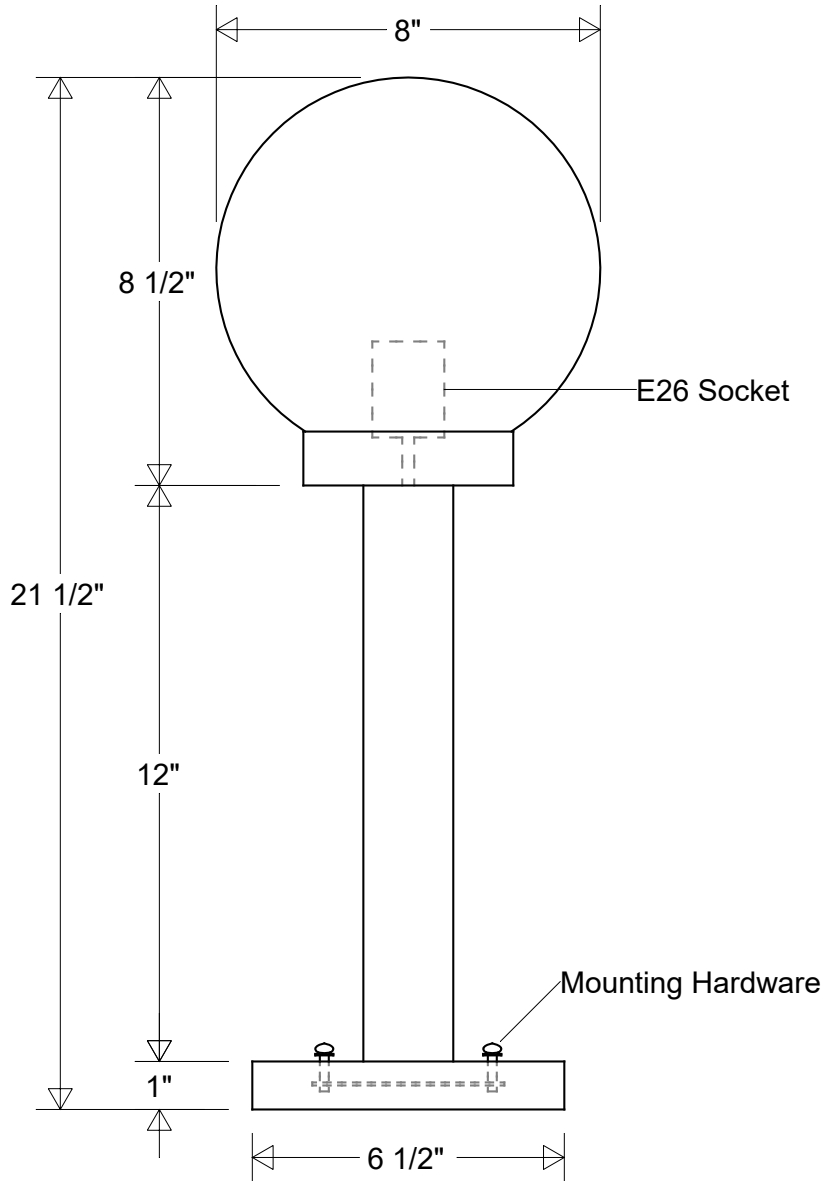



Primelite Manufacturing Corp

407 S Main St, Freeport, NY 11520

Phone: 516-868-4411 | Fax: 516-868-4609
 sales@primelite-mfg.com | www.primelite-mfg.com

| | | | |
|-------------------------|---------------------------|-------------------------|-------------------------------------|
| PART # #278 N | LAMP E26 Socket | VOLTAGE 120 V | COLOR Powder Coated Paint |
| JOB NAME | | | TYPE Pendant |



| | | | | | | | | | |
|---|-----------------|-------------|-------------------------|---|--------------------|--------------------|---------------|-------------|--|
| Lamp: E26 Socket Max Wattage: 75 W  | Initials | Date | <h2>#278 N Special</h2> | | | | | | |
| | Drawn | CB | | | | | | 08/2023 | |
| | Checked | | | 8" Dia 21 1/2" H Acrylic Globe: Smoke (/1) White (/3) Clear (/4) | | | | | |
| Construction: Aluminum Acrylic | ENG Appr. | | | Revisions | | | | | |
| | MFR Appr. | | | Zone | Rev | Description | Date | Appr | |
| | QA | | | | | | | | |
| Unless Otherwise Specified: Dimensions in Inches | Weight: | | | Size | Drawing No. | Rev | 1 of 1 | | |
| | | | | A | 0001 | A | | | |