

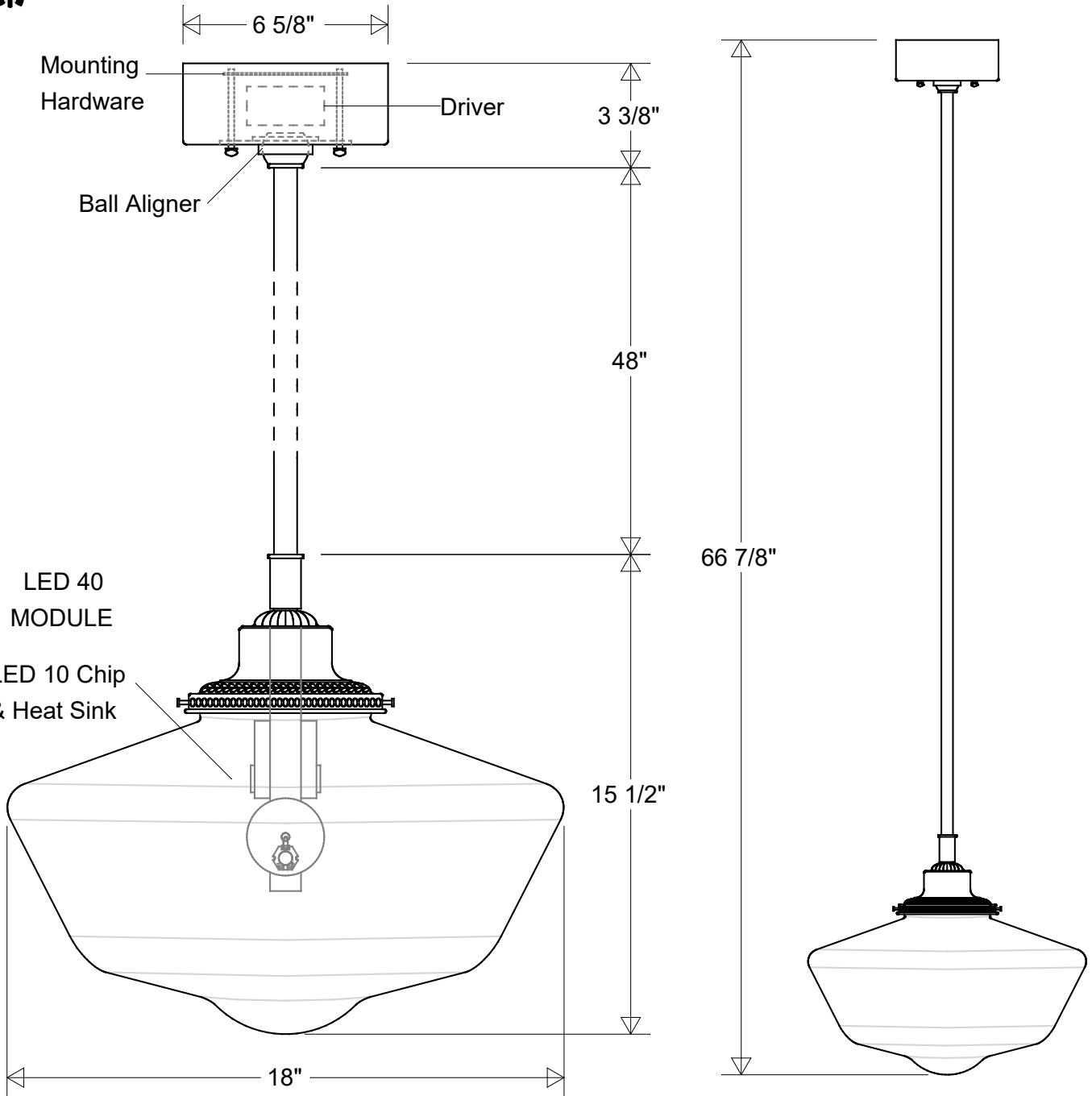


Primelite Manufacturing Corp

407 S Main St, Freeport, NY 11520

Phone: 516-868-4411 | Fax: 516-868-4609
 sales@primelite-mfg.com | www.primelite-mfg.com

PART # #258S LED 40	LAMP Built-In LED	VOLTAGE 120 V	COLOR Powder Coated Paint
JOB NAME			TYPE Pendant



Lamp: LED 40 Module
 125 W MH Equivalent
 3K = 5060 Lumens
 4K = 5100 Lumens



	Initials	Date
Drawn	CB	10/2022
Checked		
ENG Appr.		
MFR Appr.		
QA		

Pendant #258S LED 40 Special

18" Dia | 66 7/8" H | 48" 1/2 IPS Stem | Ball Aligner
 White Glass Schoolhouse Globe

Size	Drawing No.	Rev
A	0001	A

Revisions				
Zone	Rev	Description	Date	Appr

Construction:
 Aluminum | Glass

Unless Otherwise Specified:
 Dimensions in Inches

Weight:

Scale

CAD File

Sheet

1 of 1