

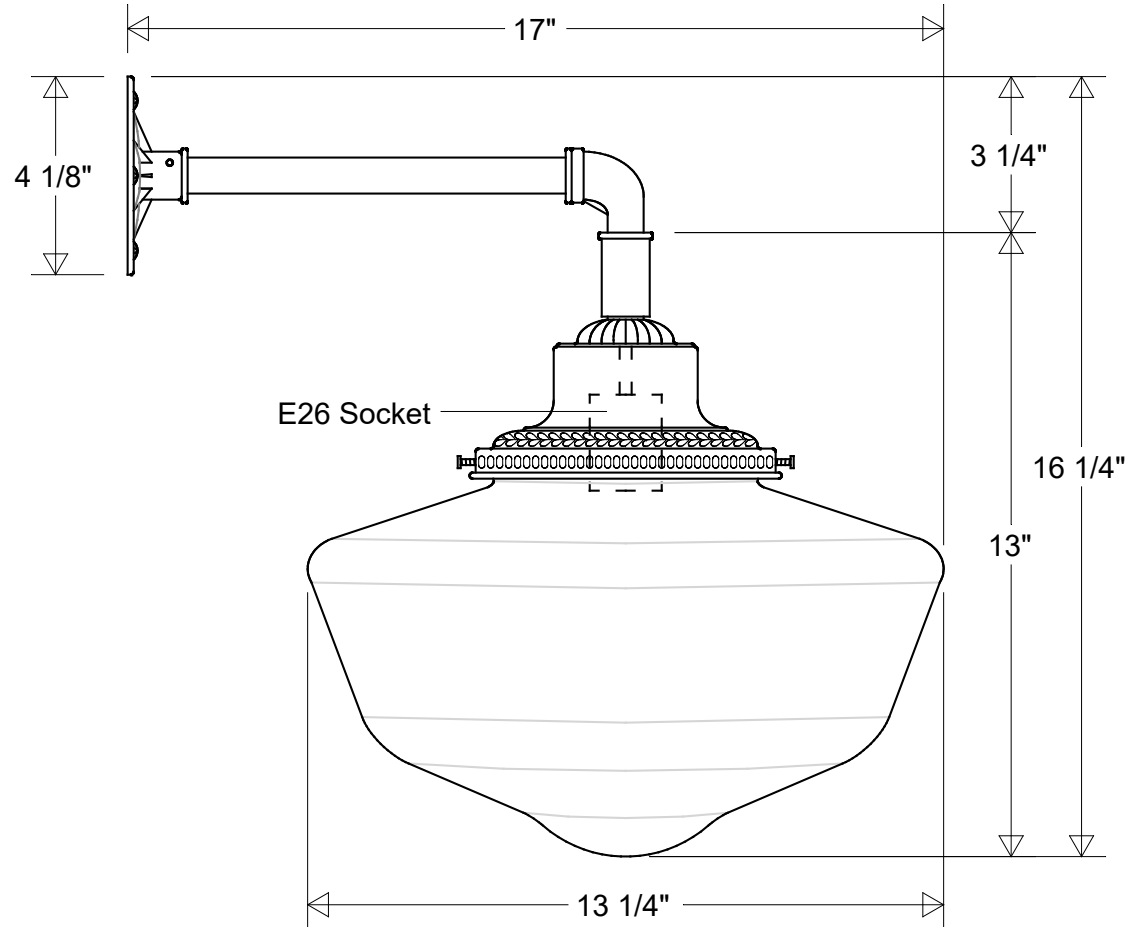



# Primelite Manufacturing Corp

407 S Main St, Freeport, NY 11520

Phone: 516-868-4411 | Fax: 516-868-4609  
 sales@primelite-mfg.com | www.primelite-mfg.com

PART # #254/855	LAMP E26 Socket	VOLTAGE 120 V	COLOR Powder Coated Paint
JOB NAME			TYPE Gooseneck



Lamp: E26 Socket Max Wattage: 150 W 	Initials	Date	<b>Gooseneck #254/855 Special</b>		
	Drawn	CB			09/2021
	Checked			13 1/4" Dia   17" Ext   16 1/4" H White Glass Schoolhouse Globe	
	ENG Appr.				
Construction: Aluminum   Glass   Steel	MFR Appr.		Size	Drawing No.	Rev
	QA		<b>A</b>	<b>0001</b>	<b>A</b>
Unless Otherwise Specified: Dimensions in Inches	Weight:		Scale	CAD File	Sheet
					<b>1 of 1</b>

Revisions				
Zone	Rev	Description	Date	Appr