



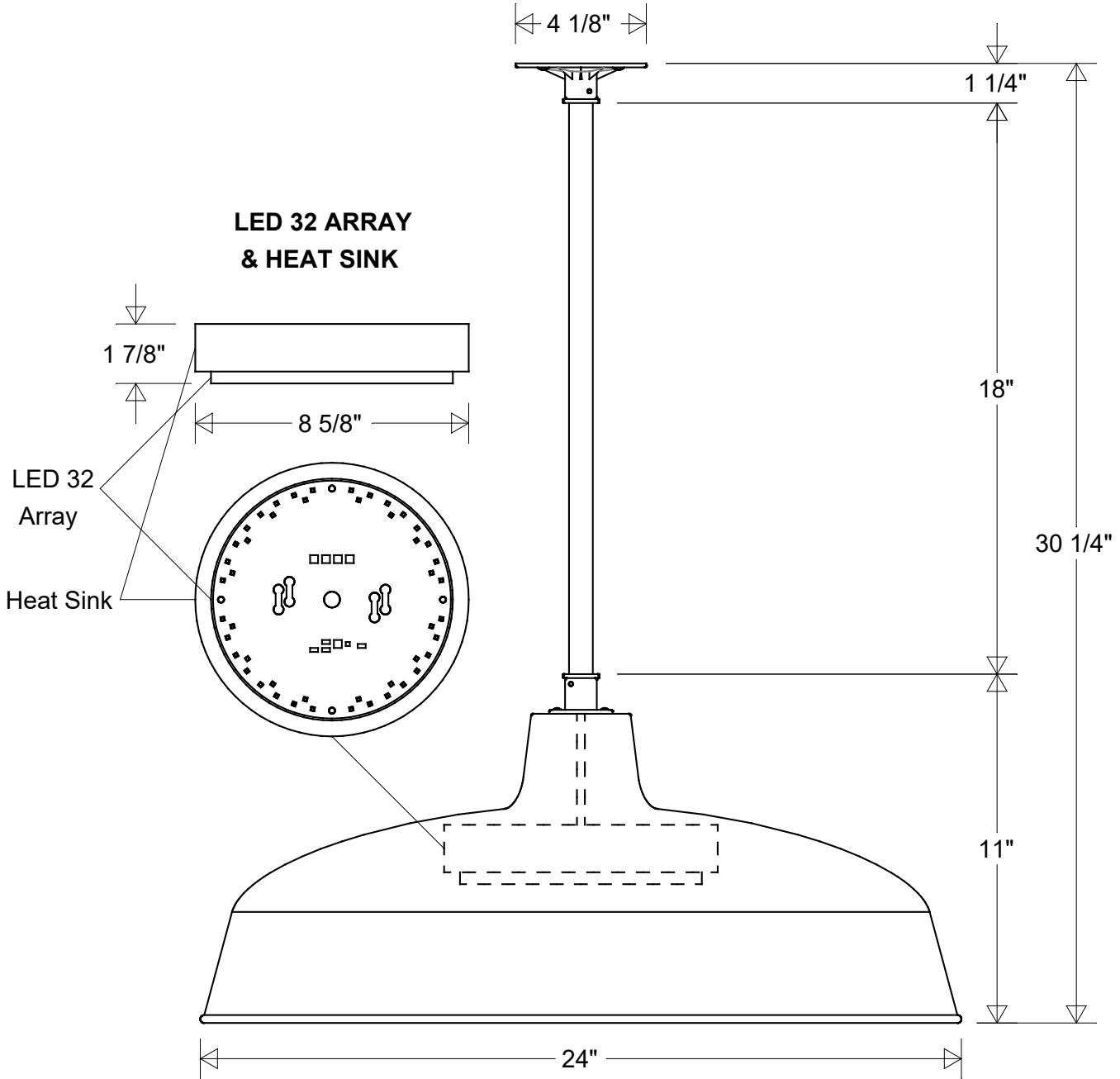
# Primelite Manufacturing Corp

407 S Main St, Freeport, NY 11520

Phone: 516-868-4411 | Fax: 516-868-4609  
 sales@primelite-mfg.com | www.primelite-mfg.com

<b>PART #</b> #23/24-18 LED 32	<b>LAMP</b> Built-In LED	<b>VOLTAGE</b> 120 V	<b>COLOR</b> Powder Coated Paint
<b>JOB NAME</b>			<b>TYPE</b> Pendant

## LED 32 ARRAY & HEAT SINK



Lamp: LED 32 Array  
 200 W Inc Equivalent  
 3K = 2700 Lumens  
 4K = 2750 Lumens



	Initials	Date
Drawn	CB	02/2022
Checked		
ENG Appr.		
MFR Appr.		
QA		

## Pendant #23/24-18 LED 32

24" Dia | 30 1/4" OAH | 18" 1/2 IPS Stem

### Revisions

Zone	Rev	Description	Date	Appr

Construction:  
Aluminum

Size

Drawing No.

Rev

**A**

**0001**

**A**

Unless Otherwise Specified:  
Dimensions in Inches

Weight:

Scale

CAD File

Sheet

**1 of 1**