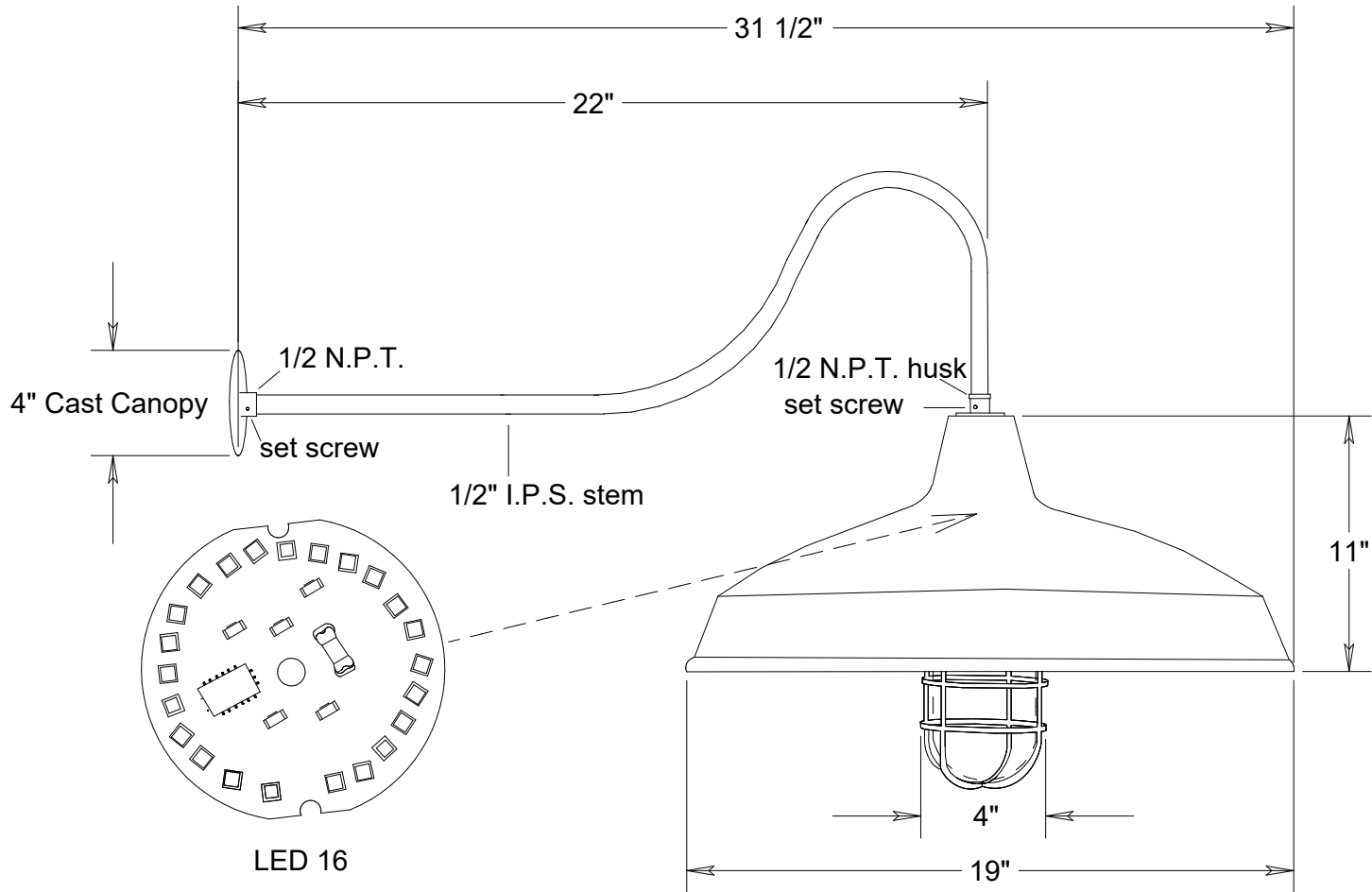



Primelite Manufacturing Corp

407 S Main St, Freeport, NY 11520
 Phone: 516-868-4411 | Fax: 516-868-4609
 sales@primelite-mfg.com | www.primelite-mfg.com

PART # #23/19-850 WGGH1	LAMP Incandescent LED	VOLTAGE 120 V	COLOR Powder Coated Paint
JOB NAME			TYPE Gooseneck



Lamp: Incandescent LED  LED16	Name	Date	Gooseneck #23/19-850 WGGH1 LED16			
	Drawn	CB				8/19
	Checked			19" Dia 22" Arm Clear Jelly Jar Wire Guard 1000 Lm 62.5 Lm/W 27K Color Temp		
	ENG Appr.					
	MFR Appr.			Size	Drawing No.	Rev
QA			A	0001	A	
Construction: Aluminum	Weight		Scale	CAD File	Sheet	
Unless Otherwise Specified: Dimensions in Inches					1 of 1	

Revisions				
Zone	Rev	Description	Date	Approved