



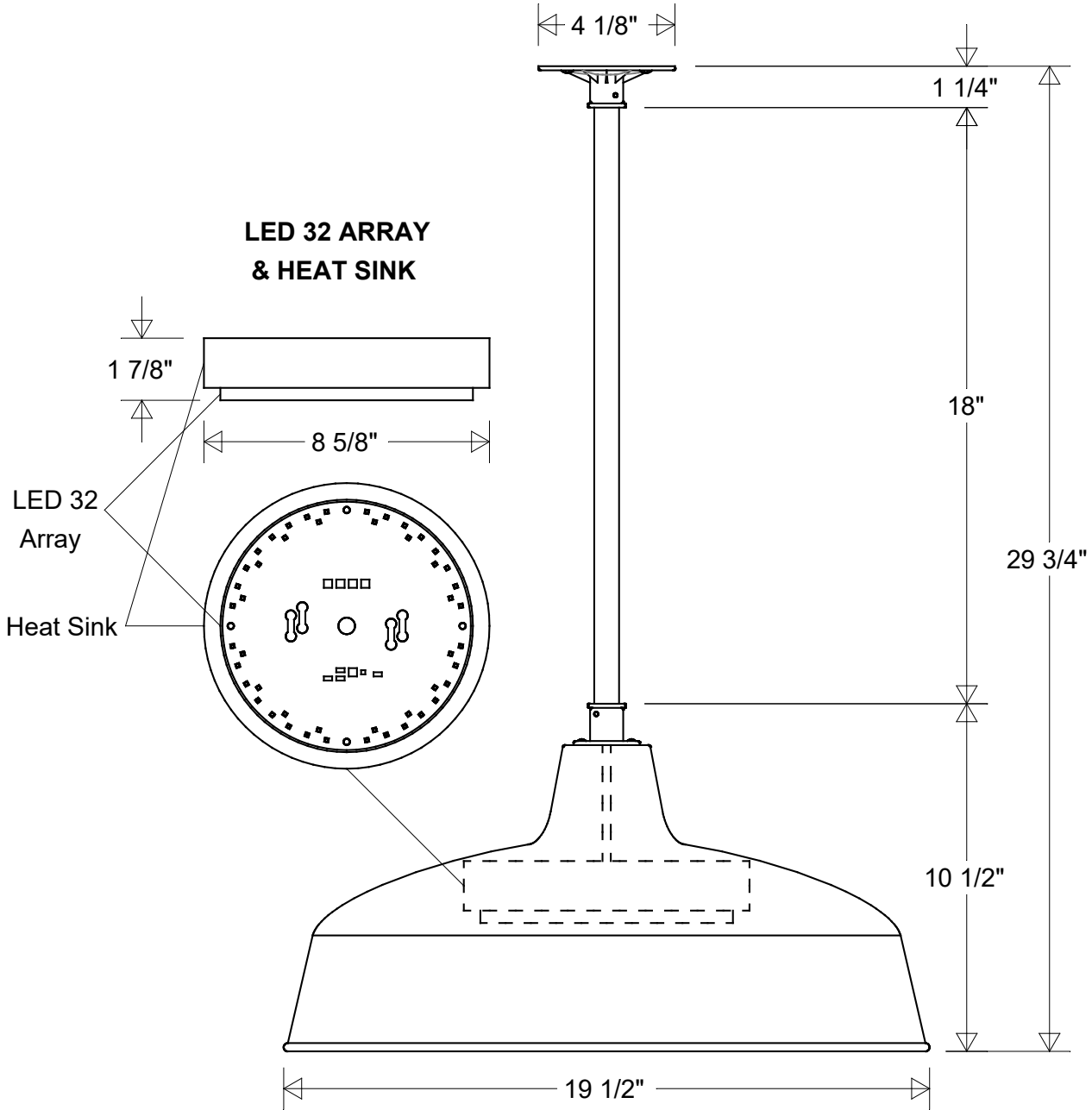
Primelite Manufacturing Corp

407 S Main St, Freeport, NY 11520

Phone: 516-868-4411 | Fax: 516-868-4609
 sales@primelite-mfg.com | www.primelite-mfg.com

PART # #23/19-18 LED 32	LAMP Built-In LED	VOLTAGE 120 V	COLOR Powder Coated Paint
JOB NAME			TYPE Pendant

LED 32 ARRAY & HEAT SINK



Lamp: LED 32 Array
 200 W Inc Equivalent
 3K = 2700 Lumens
 4K = 2750 Lumens



	Initials	Date
Drawn	CB	02/2022
Checked		
ENG Appr.		
MFR Appr.		
QA		

Pendant #23/19-18 LED 32

19 1/2" Dia | 29 3/4" OAH | 18" 1/2 IPS Stem

Size	Drawing No.	Rev
A	0001	A

Revisions				
Zone	Rev	Description	Date	Appr

Construction:
Aluminum

Unless Otherwise Specified:
Dimensions in Inches

Weight:

Scale

CAD File

Sheet

1 of 1