



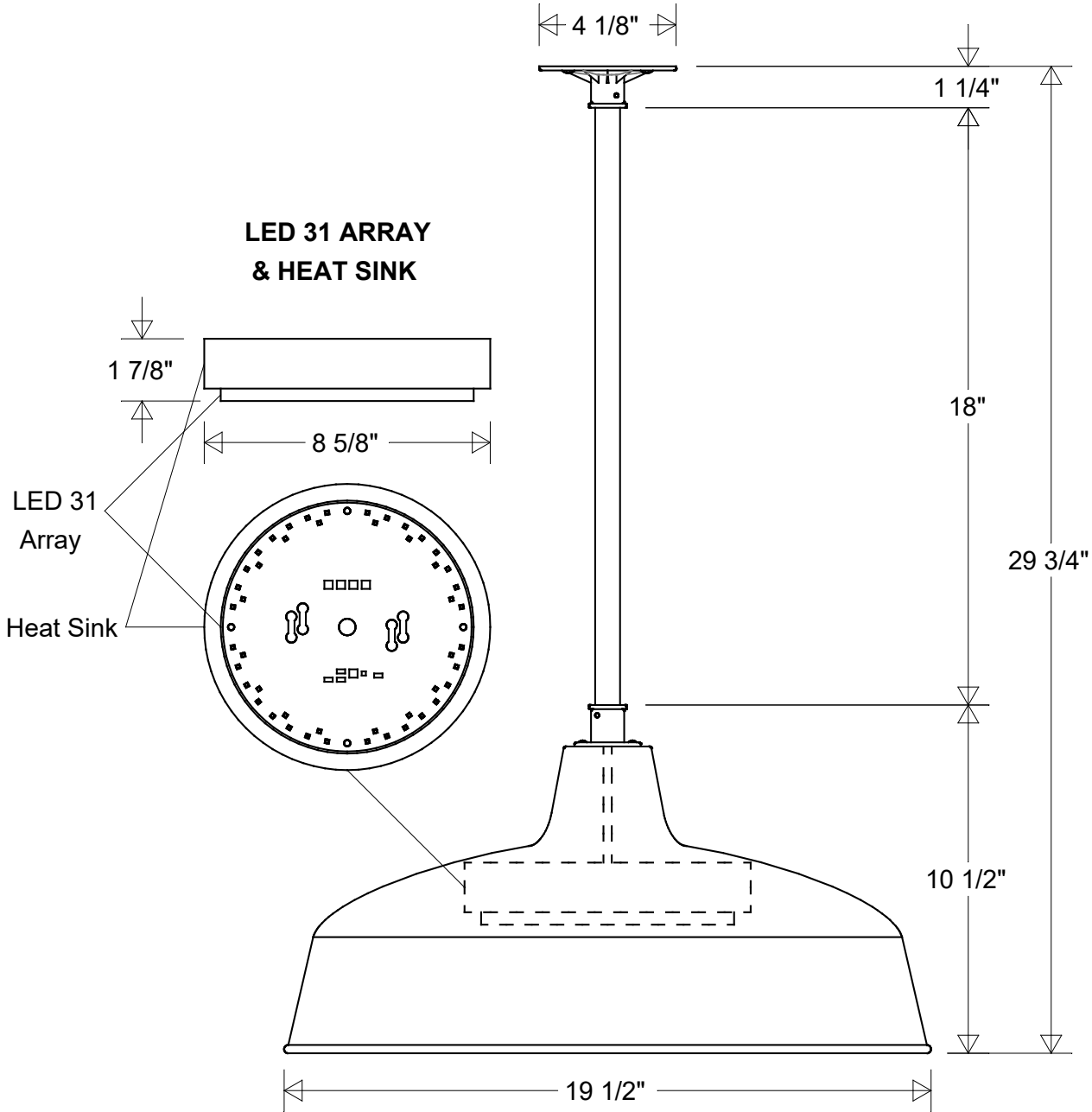
Primelite Manufacturing Corp

407 S Main St, Freeport, NY 11520

Phone: 516-868-4411 | Fax: 516-868-4609
 sales@primelite-mfg.com | www.primelite-mfg.com

| | | | |
|-----------------------------------|-----------------------------|-------------------------|-------------------------------------|
| PART # #23/19-18 LED 31 | LAMP Built-In LED | VOLTAGE 120 V | COLOR Powder Coated Paint |
| JOB NAME | | | TYPE Pendant |

LED 31 ARRAY & HEAT SINK



Lamp: LED 31 Array
 200 W Inc Equivalent
 3K = 2750 Lumens
 4K = 2850 Lumens



| | | |
|-----------|----------|---------|
| | Initials | Date |
| Drawn | CB | 02/2022 |
| Checked | | |
| ENG Appr. | | |
| MFR Appr. | | |
| QA | | |

Pendant #23/19-18 LED 31

19 1/2" Dia | 29 3/4" OAH | 18" 1/2 IPS Stem

| | | |
|----------|-------------|----------|
| Size | Drawing No. | Rev |
| A | 0001 | A |

Unless Otherwise Specified:
 Dimensions in Inches

| | | | |
|---------|-------|----------|---------------|
| Weight: | Scale | CAD File | Sheet |
| | | | 1 of 1 |

| Revisions | | | | |
|-----------|-----|-------------|------|------|
| Zone | Rev | Description | Date | Appr |
| | | | | |
| | | | | |
| | | | | |