



Primelite Manufacturing Corp

407 S Main St, Freeport, NY 11520

Phone: 516-868-4411 | Fax: 516-868-4609

sales@primelite-mfg.com | www.primelite-mfg.com

PART #

#23/16-1854 WG2

LAMP

Incandescent

VOLTAGE

120 V

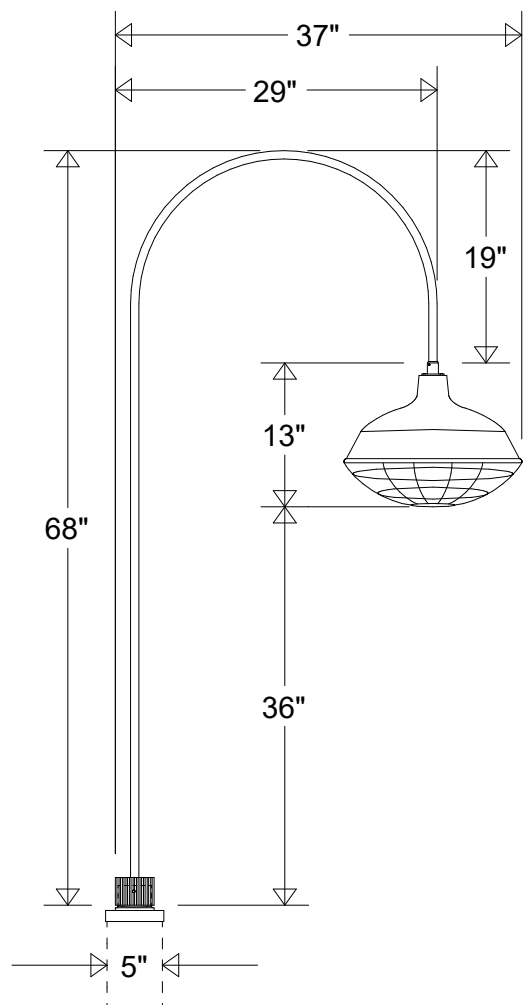
COLOR

Powder Coated Paint

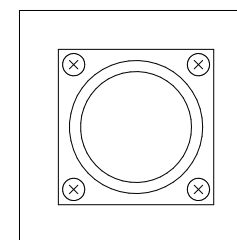
JOB NAME

TYPE

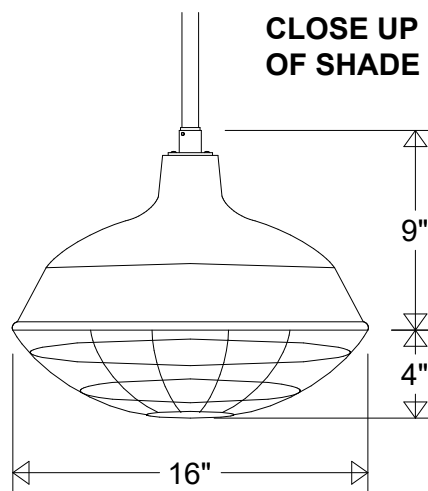
Post Light



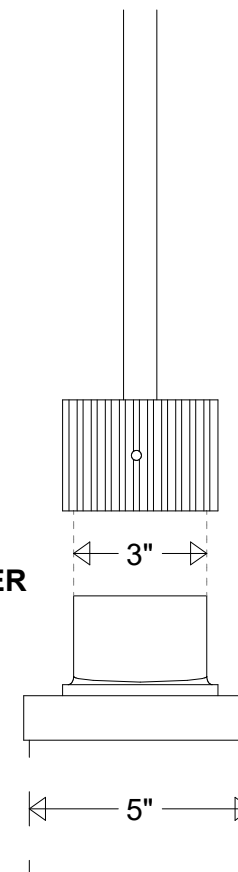
TOP VIEW OF POST ADAPTER




CLOSE UP OF SHADE



CLOSE UP OF POST ADAPTER



Lamp: Incandescent Max Wattage: 1/200A 	Name		Date		<h2>Post Light #23/16-1854 WG2 Special</h2> <p>16" Dia 68" H 37" Ext</p> <p>5" Square to 3" Round Post Adapter</p>
	Drawn	CB	03/2021		
	Checked				
	ENG Appr.				
Construction: Aluminum	MFR Appr.		Size	Drawing No.	Rev
	QA		A	0001	A
Unless Otherwise Specified: Dimensions in Inches	Weight		Scale	CAD File	Sheet
					1 of 1

Revisions				
Zone	Rev	Description	Date	Approved