

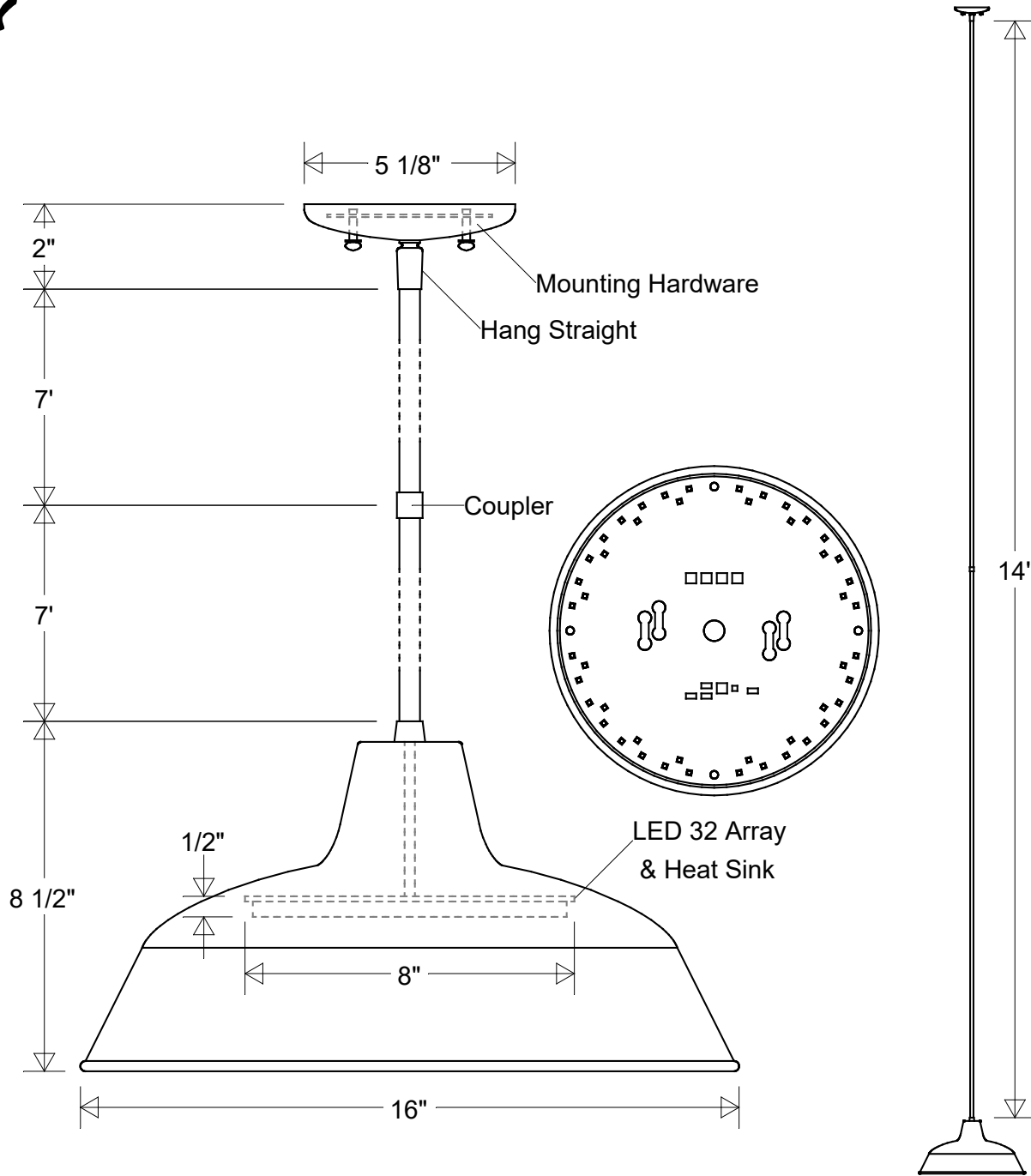


Primelite Manufacturing Corp

407 S Main St, Freeport, NY 11520

Phone: 516-868-4411 | Fax: 516-868-4609
 sales@primelite-mfg.com | www.primelite-mfg.com

PART # #23/16 S LED 32	LAMP Built-In LED	VOLTAGE 120 V	COLOR Powder Coated Paint
JOB NAME			TYPE Pendant



Lamp: LED 32 Array 200 W Inc Equivalent 3K = 2700 Lumens 4K = 2750 Lumens	Initials Drawn: CB Checked: ENG Appr.: MFR Appr.: QA:	Date 02/2023	<h2>#23/16 S Special LED 32</h2>		Revisions <table border="1"> <thead> <tr> <th>Zone</th> <th>Rev</th> <th>Description</th> <th>Date</th> <th>Appr</th> </tr> </thead> <tbody> <tr><td> </td><td> </td><td> </td><td> </td><td> </td></tr> <tr><td> </td><td> </td><td> </td><td> </td><td> </td></tr> <tr><td> </td><td> </td><td> </td><td> </td><td> </td></tr> <tr><td> </td><td> </td><td> </td><td> </td><td> </td></tr> </tbody> </table>					Zone	Rev	Description	Date	Appr																				
	Zone	Rev								Description	Date	Appr																						
Construction: Aluminum			Size: A Drawing No.: 0001 Rev: A	16" Dia 8 1/2" H 14' x 1/4" IPS Stem																														
Unless Otherwise Specified: Dimensions in Inches	Weight:	Scale:	CAD File:	Sheet: 1 of 1																														