

Primelite Manufacturing Corp

407 S Main St, Freeport, NY 11520

Phone: 516-868-4411 | Fax: 516-868-4609

sales@primelite-mfg.com | www.primelite-mfg.com

PART #

#23/12-855 Special

LAMP

Built-In LED

VOLTAGE

120 V

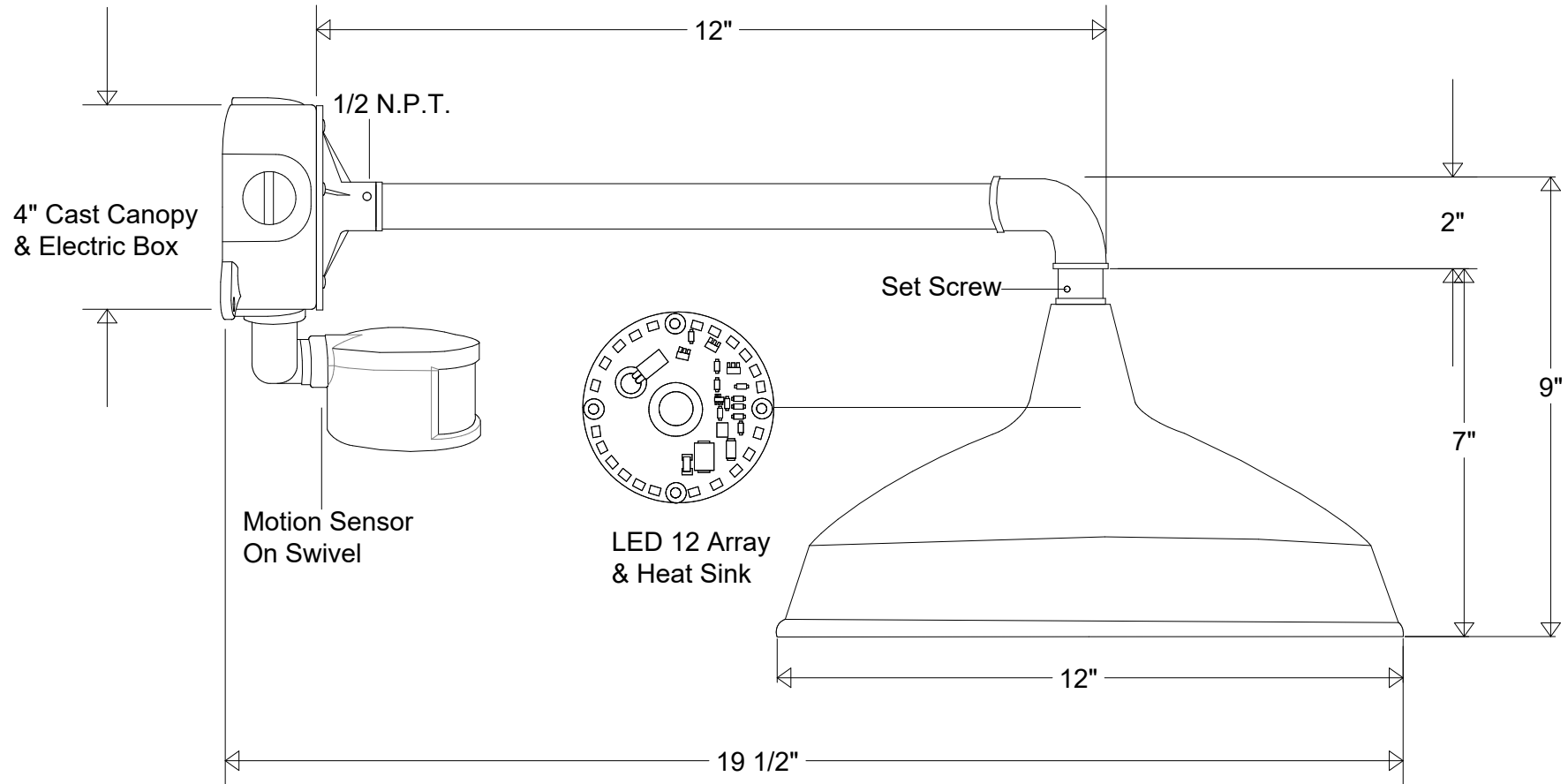
COLOR

Powder Coated Paint

JOB NAME

TYPE

Gooseneck



Lamp: LED 12 Array
800 Lumens | 60 W Inc Equivalent



Name

Date

Gooseneck #23/12-855 LED 12 Special

Drawn

CB

3/2020

Checked

ENG Appr.

MFR Appr.

QA

Weight

Size

A

Drawing No.

0001

Rev

A

Scale

CAD File

Sheet

1 of 1

12" Dia | 19 1/2" Ext | 9" Ht

Revisions

Zone	Rev	Description	Date	Approved