

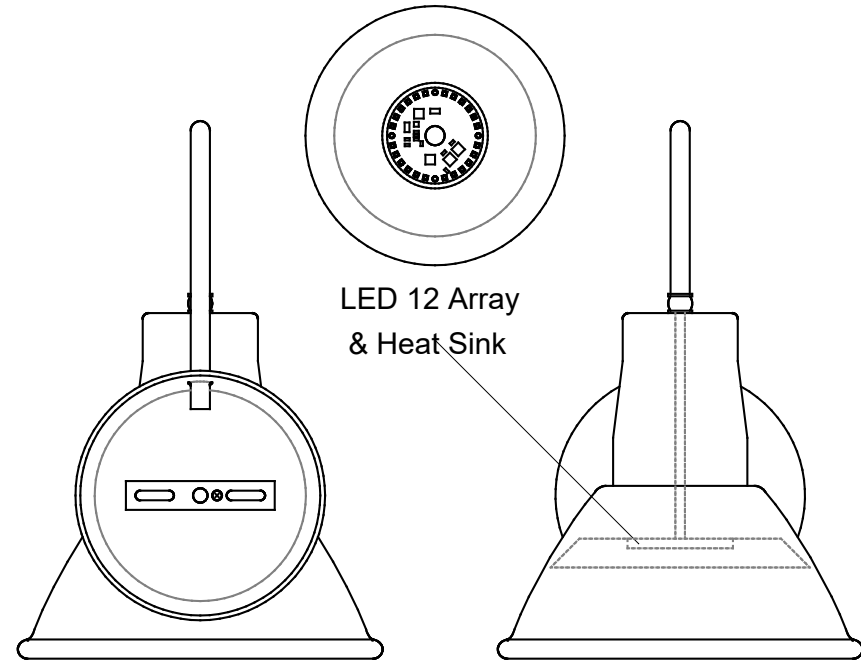
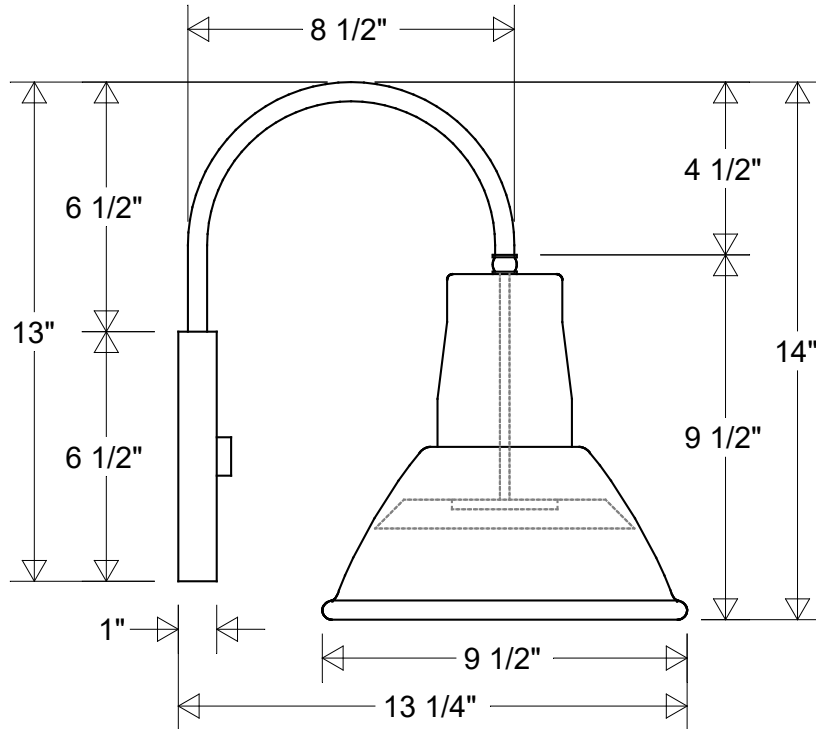


Primelite Manufacturing Corp

407 S Main St, Freeport, NY 11520

Phone: 516-868-4411 | Fax: 516-868-4609
 sales@primelite-mfg.com | www.primelite-mfg.com

PART # #21/611 LED 12	LAMP Built-In LED	VOLTAGE 120 V	COLOR Powder Coated Paint
JOB NAME			TYPE Wall Sconce



Lamp: LED 12 Array 60 W Inc Equivalent 3K = 800 Lumens 4K = 800 Lumens	Name		Date		<h2>#21/611 Special LED 12</h2> <p>9 1/2" Dia 14" H 13 1/4" Ext</p>
	Drawn	CB	11/2021		
	Checked				
	ENG Appr.				
Construction: Aluminum	MFR Appr.		Size	Drawing No.	Rev
	QA		A	0001	A
Unless Otherwise Specified: Dimensions in Inches	Weight		Scale	CAD File	Sheet
					1 of 1

Revisions				
Zone	Rev	Description	Date	Approved