



Primelite Manufacturing Corp

407 S Main St, Freeport, NY 11520

Phone: 516-868-4411 | Fax: 516-868-4609
 sales@primelite-mfg.com | www.primelite-mfg.com

PART #

#20/875 ESW

LAMP

Built-In LED

VOLTAGE

120 V

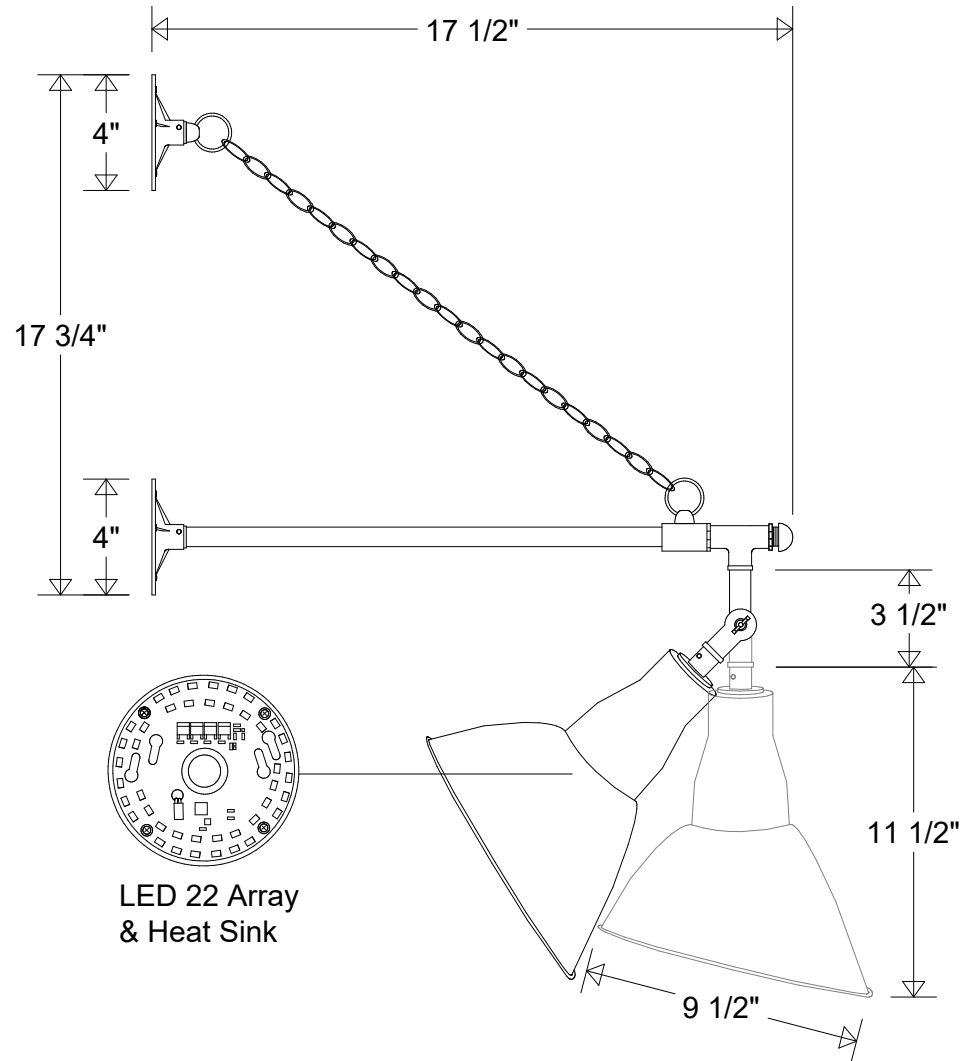
COLOR

Powder Coated Paint

JOB NAME

TYPE

Gooseneck



LED 22 Array
& Heat Sink

Lamp: LED 22 Array
1800 Lumens | 100 W Inc Equivalent



Name Date

Drawn CB 01/2021

Checked

ENG Appr.

MFR Appr.

QA

Weight

Gooseneck #20/875 ESW LED 22 Special

9 1/2" Dia | 32 3/4" H | 17 1/2" Ext
Adjustable Swivel | Chain Top

Size Drawing No. Rev
A 0001 A

Scale CAD File Sheet
1 of 1

Construction: Aluminum

Unless Otherwise Specified:
Dimensions in Inches

Revisions				
Zone	Rev	Description	Date	Approved