

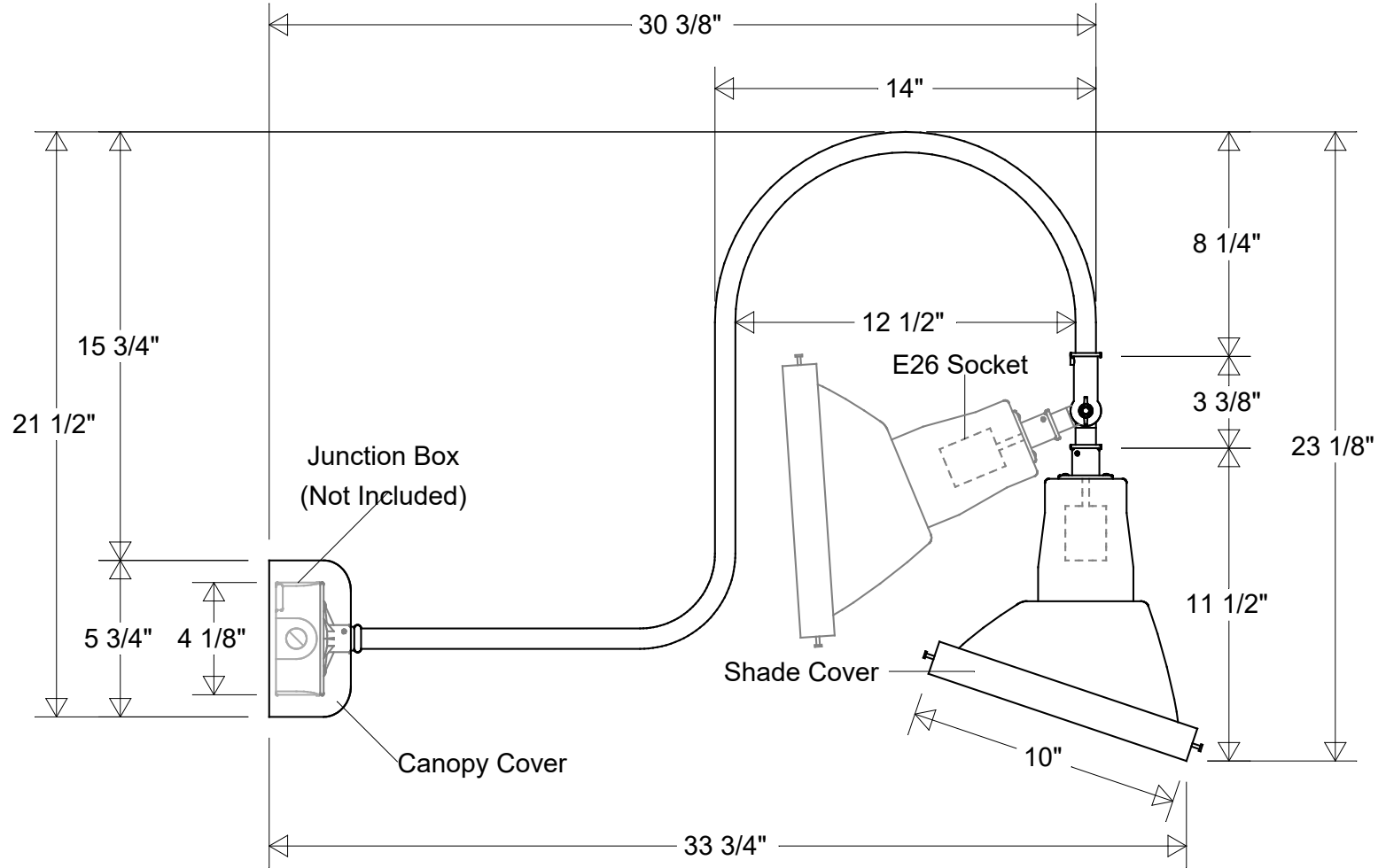



# Primelite Manufacturing Corp

407 S Main St, Freeport, NY 11520

Phone: 516-868-4411 | Fax: 516-868-4609  
 sales@primelite-mfg.com | www.primelite-mfg.com

|                                      |                           |                         |                                     |
|--------------------------------------|---------------------------|-------------------------|-------------------------------------|
| <b>PART #</b><br>#20/851 ESW Special | <b>LAMP</b><br>E26 Socket | <b>VOLTAGE</b><br>120 V | <b>COLOR</b><br>Powder Coated Paint |
| <b>JOB NAME</b>                      |                           |                         | <b>TYPE</b><br>Gooseneck            |



| <b>Lamp: E26 Socket</b><br>Max Wattage: 200 W<br> | <b>Initials</b>  | <b>Date</b> | <b>#20/851 ESW Special</b>                        |                    | <table border="1"> <thead> <tr> <th colspan="5">Revisions</th> </tr> <tr> <th>Zone</th> <th>Rev</th> <th>Description</th> <th>Date</th> <th>Appr</th> </tr> </thead> <tbody> <tr><td> </td><td> </td><td> </td><td> </td><td> </td></tr> <tr><td> </td><td> </td><td> </td><td> </td><td> </td></tr> <tr><td> </td><td> </td><td> </td><td> </td><td> </td></tr> <tr><td> </td><td> </td><td> </td><td> </td><td> </td></tr> </tbody> </table> |               |  |  |  | Revisions |  |  |  |  | Zone | Rev | Description | Date | Appr |  |  |  |  |  |  |  |  |  |  |  |  |  |  |  |  |  |  |  |  |
|--|------------------|-------------|---|--------------------|--|---------------|--|--|--|-----------|--|--|--|--|------|-----|-------------|------|------|--|--|--|--|--|--|--|--|--|--|--|--|--|--|--|--|--|--|--|--|
|  | Revisions        |             |   |                    |  |               |  |  |  |           |  |  |  |  |      |     |             |      |      |  |  |  |  |  |  |  |  |  |  |  |  |  |  |  |  |  |  |  |  |
|  | Zone             | Rev         | Description                                       | Date               | Appr   |               |  |  |  |           |  |  |  |  |      |     |             |      |      |  |  |  |  |  |  |  |  |  |  |  |  |  |  |  |  |  |  |  |  |
|  |                  |             |   |                    |  |               |  |  |  |           |  |  |  |  |      |     |             |      |      |  |  |  |  |  |  |  |  |  |  |  |  |  |  |  |  |  |  |  |  |
|  |                  |             |   |                    |  |               |  |  |  |           |  |  |  |  |      |     |             |      |      |  |  |  |  |  |  |  |  |  |  |  |  |  |  |  |  |  |  |  |  |
|  |                  |             |   |                    |  |               |  |  |  |           |  |  |  |  |      |     |             |      |      |  |  |  |  |  |  |  |  |  |  |  |  |  |  |  |  |  |  |  |  |
|  |                  |             |   |                    |  |               |  |  |  |           |  |  |  |  |      |     |             |      |      |  |  |  |  |  |  |  |  |  |  |  |  |  |  |  |  |  |  |  |  |
| <b>Drawn</b>   | CB               | 04/2023     | 10" Dia   33 3/4" Ext   23 1/8" H                 |                    |  |               |  |  |  |           |  |  |  |  |      |     |             |      |      |  |  |  |  |  |  |  |  |  |  |  |  |  |  |  |  |  |  |  |  |
| <b>Checked</b>   |                  |             | Swivel   Clear Acrylic Shade Cover   Canopy Cover |                    |  |               |  |  |  |           |  |  |  |  |      |     |             |      |      |  |  |  |  |  |  |  |  |  |  |  |  |  |  |  |  |  |  |  |  |
| <b>ENG Appr.</b>   |                  |             | <b>Size</b>                                       | <b>Drawing No.</b> | <b>Rev</b>   |               |  |  |  |           |  |  |  |  |      |     |             |      |      |  |  |  |  |  |  |  |  |  |  |  |  |  |  |  |  |  |  |  |  |
| <b>Construction:</b><br>Aluminum   Acrylic Lens  | <b>MFR Appr.</b> |             | <b>A</b>  | <b>0001</b>        | <b>A</b>   |               |  |  |  |           |  |  |  |  |      |     |             |      |      |  |  |  |  |  |  |  |  |  |  |  |  |  |  |  |  |  |  |  |  |
| <b>Unless Otherwise Specified:</b><br>Dimensions in Inches   | <b>Weight:</b>   |             | <b>Scale</b>                                      | <b>CAD File</b>    | <b>Sheet</b>   | <b>1 of 1</b> |  |  |  |           |  |  |  |  |      |     |             |      |      |  |  |  |  |  |  |  |  |  |  |  |  |  |  |  |  |  |  |  |  |
|  |                  |             | 16:100  |                    |  |               |  |  |  |           |  |  |  |  |      |     |             |      |      |  |  |  |  |  |  |  |  |  |  |  |  |  |  |  |  |  |  |  |  |