



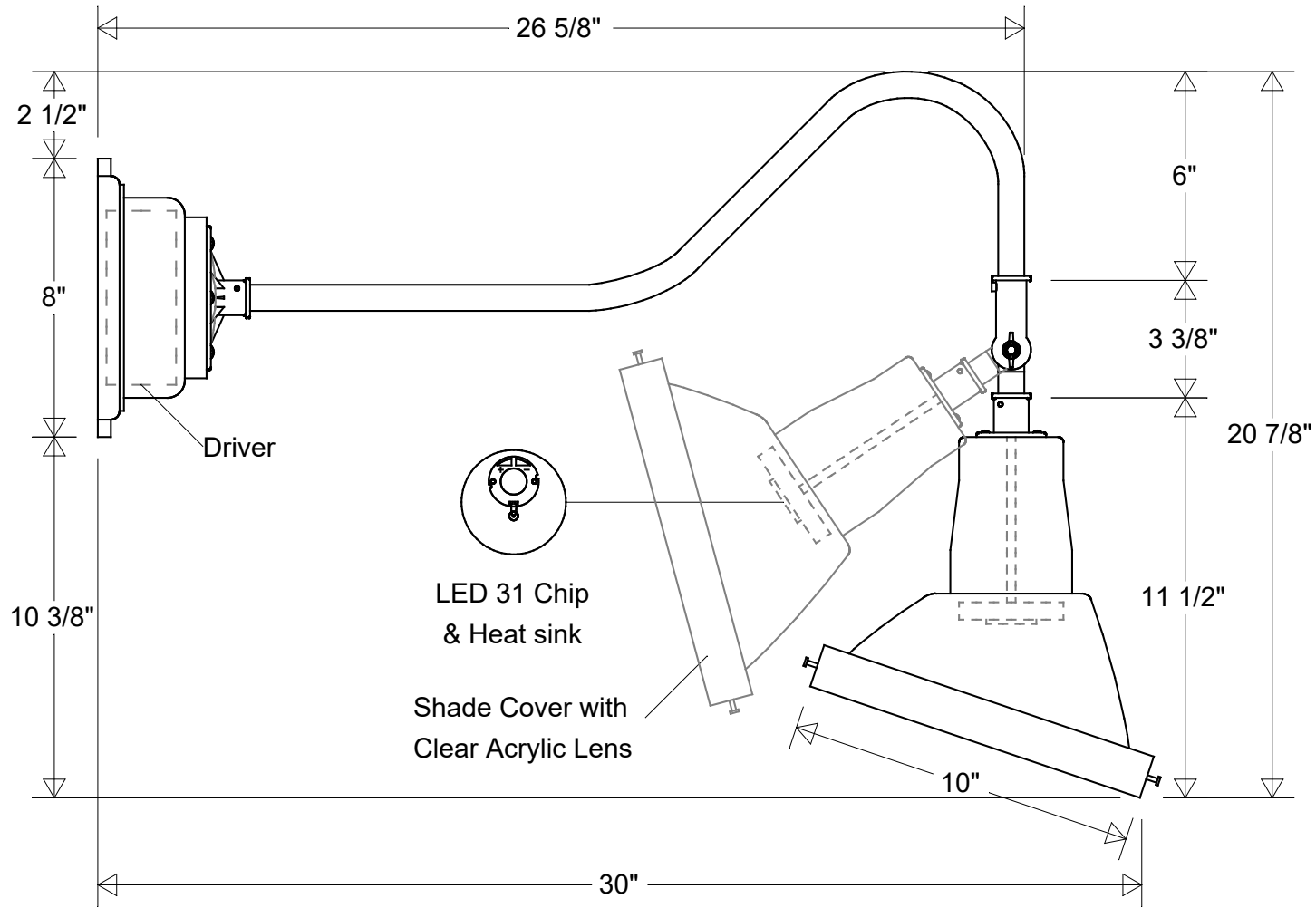
Primelite Manufacturing Corp

407 S Main St, Freeport, NY 11520

Phone: 516-868-4411 | Fax: 516-868-4609

sales@primelite-mfg.com | www.primelite-mfg.com

PART # #20/850 ESW LED 31	LAMP Built-In LED	VOLTAGE 120 V	COLOR Powder Coated Paint
JOB NAME			TYPE Gooseneck



Lamp: LED 31 Chip
70 W MH Equivalent
3K = 3782 Lumens
4K = 3999 Lumens



	Initials	Date
Drawn	CB	12/2022
Checked		
ENG Appr.		
MFR Appr.		
QA		

Gooseneck #20/850 ESW LED 31

10" Dia | 30" Ext | 20 7/8" H
Adjustable Angle | Clear Acrylic Lens

Size	Drawing No.	Rev
A	0001	A

Revisions				
Zone	Rev	Description	Date	Appr

Unless Otherwise Specified:
Dimensions in Inches

Weight:

Scale	CAD File	Sheet
		1 of 1