

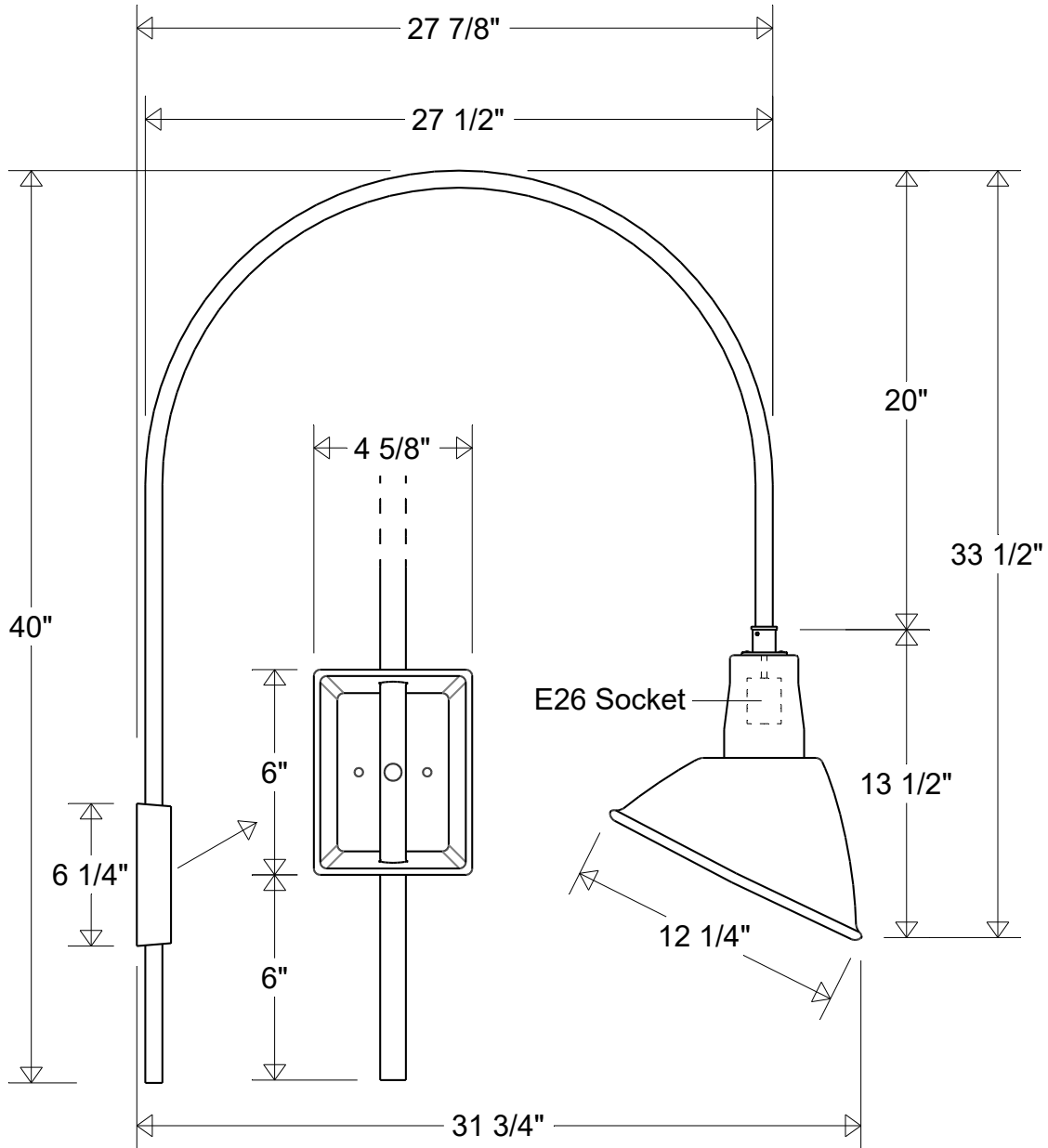



# Primelite Manufacturing Corp

407 S Main St, Freeport, NY 11520

Phone: 516-868-4411 | Fax: 516-868-4609  
 sales@primelite-mfg.com | www.primelite-mfg.com

PART # #20/12-868	LAMP E26 Socket	VOLTAGE 120 V	COLOR Powder Coated Paint
JOB NAME			TYPE Gooseneck



<b>Lamp: E26 Socket</b> Max Wattage: 1/200A 	Name		Date		<b>Gooseneck #20/12-868 Special</b> 12 1/4" Dia   40" H   31 3/4" Ext Reversed Canopy																																		
	Drawn	CB	06/2021																																				
	Checked				<table border="1"> <thead> <tr> <th colspan="5">Revisions</th> </tr> <tr> <th>Zone</th> <th>Rev</th> <th>Description</th> <th>Date</th> <th>Approved</th> </tr> </thead> <tbody> <tr><td> </td><td> </td><td> </td><td> </td><td> </td></tr> <tr><td> </td><td> </td><td> </td><td> </td><td> </td></tr> <tr><td> </td><td> </td><td> </td><td> </td><td> </td></tr> <tr><td> </td><td> </td><td> </td><td> </td><td> </td></tr> </tbody> </table>					Revisions					Zone	Rev	Description	Date	Approved																				
	Revisions																																						
Zone	Rev	Description	Date	Approved																																			
ENG Appr.																																							
MFR Appr.				Size	Drawing No.	Rev	<table border="1"> <tr> <td> </td> <td> </td> <td> </td> <td> </td> <td> </td> </tr> <tr> <td> </td> <td> </td> <td> </td> <td> </td> <td> </td> </tr> </table>																																
Construction: Aluminum	QA			<b>A</b>	<b>0001</b>	<b>A</b>																																	
Unless Otherwise Specified: Dimensions in Inches	Weight			Scale	CAD File	Sheet	<b>1 of 1</b>																																