

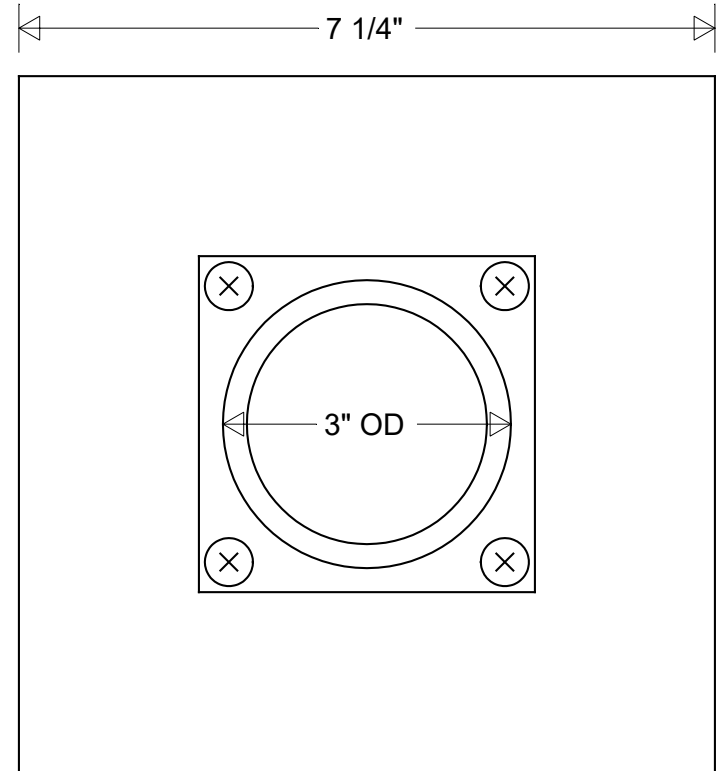
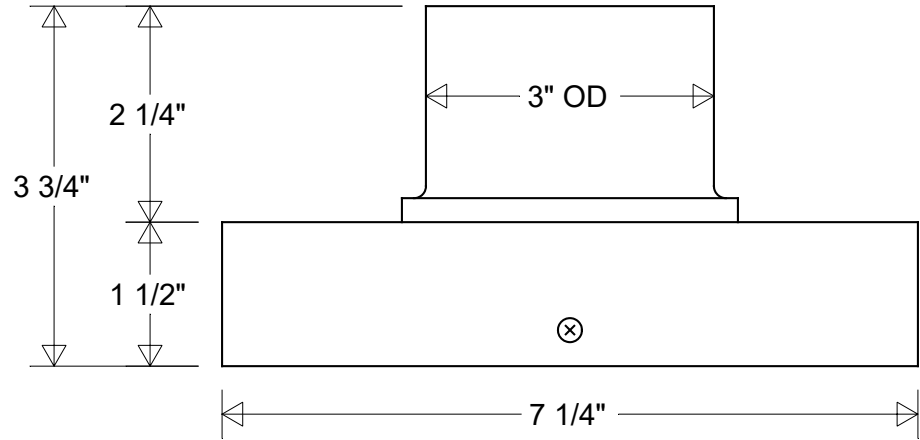


# Primelite Manufacturing Corp

407 S Main St, Freeport, NY 11520

Phone: 516-868-4411 | Fax: 516-868-4609  
 sales@primelite-mfg.com | www.primelite-mfg.com

PART # #2 Special	LAMP N/A	VOLTAGE N/A	COLOR Powder Coated Paint
JOB NAME			TYPE Pier Mount



Lamp: N/A	Initials	Date	<b>#2 Special</b>		
	Drawn	CB			09/2023
	Checked			7 1/4" W   3 3/4" H For 3" ID Fixtures	
	ENG Appr.				
Construction: Aluminum	MFR Appr.		Size <b>A</b>	Drawing No. <b>0001</b>	Rev <b>A</b>
Unless Otherwise Specified: Dimensions in Inches	Weight:		Scale	CAD File	Sheet <b>1 of 1</b>

Revisions				
Zone	Rev	Description	Date	Appr