

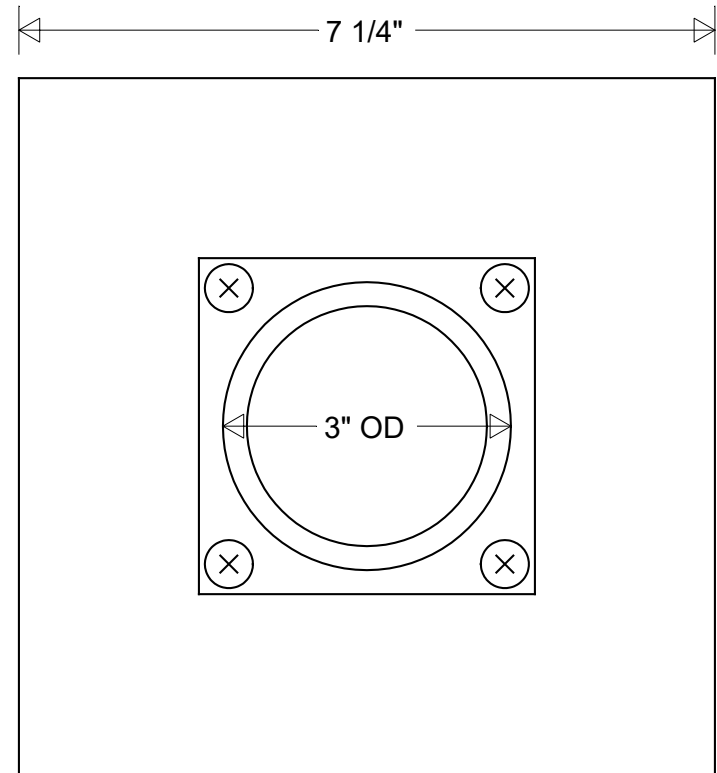
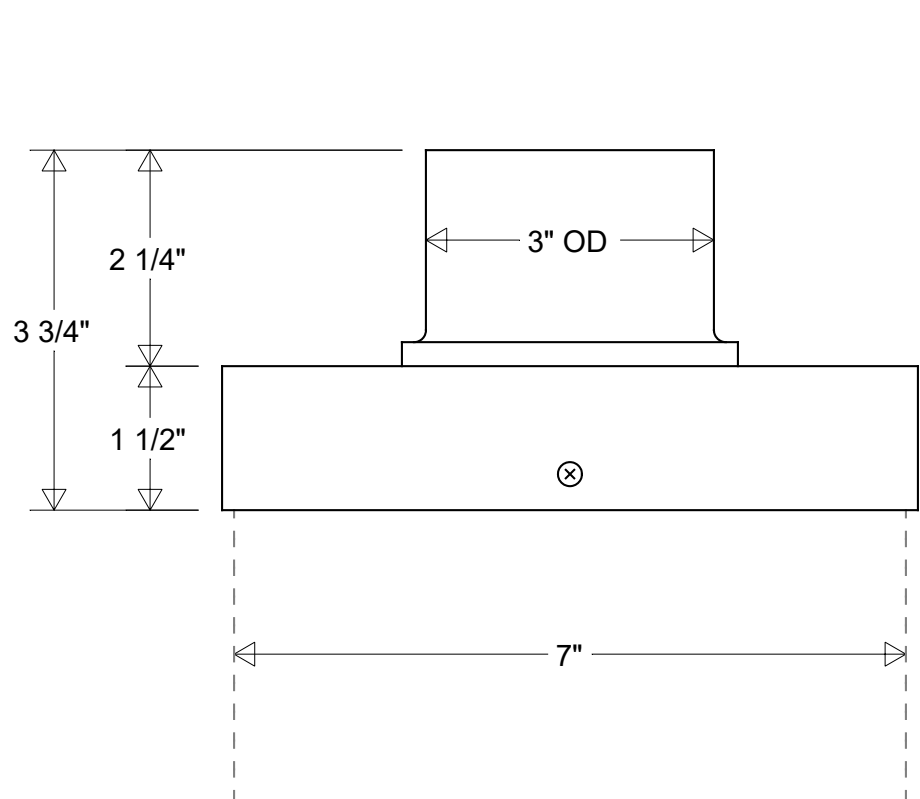


Primelite Manufacturing Corp

407 S Main St, Freeport, NY 11520

Phone: 516-868-4411 | Fax: 516-868-4609
 sales@primelite-mfg.com | www.primelite-mfg.com

| | | | |
|--------------------------|-------------|----------------|------------------------------|
| PART # #2 For 7" Post | LAMP N/A | VOLTAGE N/A | COLOR Powder Coated Paint |
| JOB NAME | | | TYPE Pier Mount |



| | | | | | | | | | | |
|---|-----------|------|-----------------------|---|---------------|-----------|-----|-------------|------|------|
| Lamp: N/A | Initials | Date | #2 For 7" Post | | | | | | | |
| | Drawn | CB | | | | | | 09/2023 | | |
| | Checked | | | 7 1/4" W 3 3/4" H For 3" ID Fixtures | | | | | | |
| | ENG Appr. | | | | | | | | | |
| Construction: Aluminum | MFR Appr. | | Size | Drawing No. | Rev | Revisions | | | | |
| | QA | | A | 0001 | A | Zone | Rev | Description | Date | Appr |
| Unless Otherwise Specified: Dimensions in Inches | Weight: | | Scale | CAD File | Sheet | | | | | |
| | | | | | 1 of 1 | | | | | |