



Primelite Manufacturing Corp

407 S Main St, Freeport, NY 11520

Phone: 516-868-4411 | Fax: 516-868-4609

sales@primelite-mfg.com | www.primelite-mfg.com

PART #

#19/859 HDC

LAMP

Incandescent

VOLTAGE

120 V

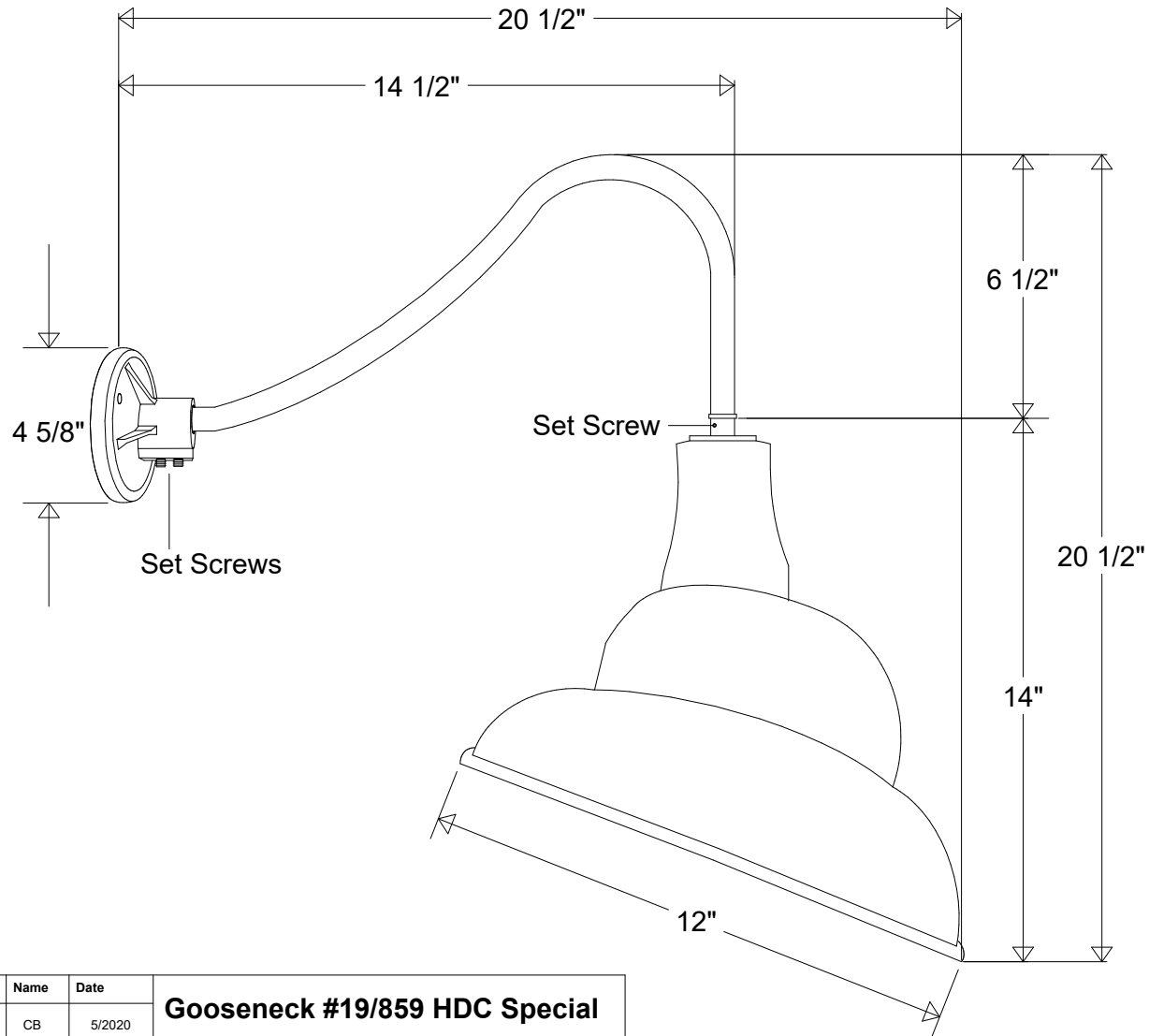
COLOR

Powder Coated Paint

JOB NAME

TYPE

Gooseneck



Lamp: Incandescent
Max Wattage: 1/300A



Name Date

Drawn CB 5/2020

Checked

ENG Appr.

MFR Appr.

QA

Weight

Gooseneck #19/859 HDC Special

12" Dia | 20 1/2" H | 20 1/2" Ext

Size

A

Drawing No.

0001

Rev

A

Construction: Aluminum

Unless Otherwise Specified:
Dimensions in Inches

Scale

CAD File

Sheet

1 of 1

Revisions

Zone	Rev	Description	Date	Approved