

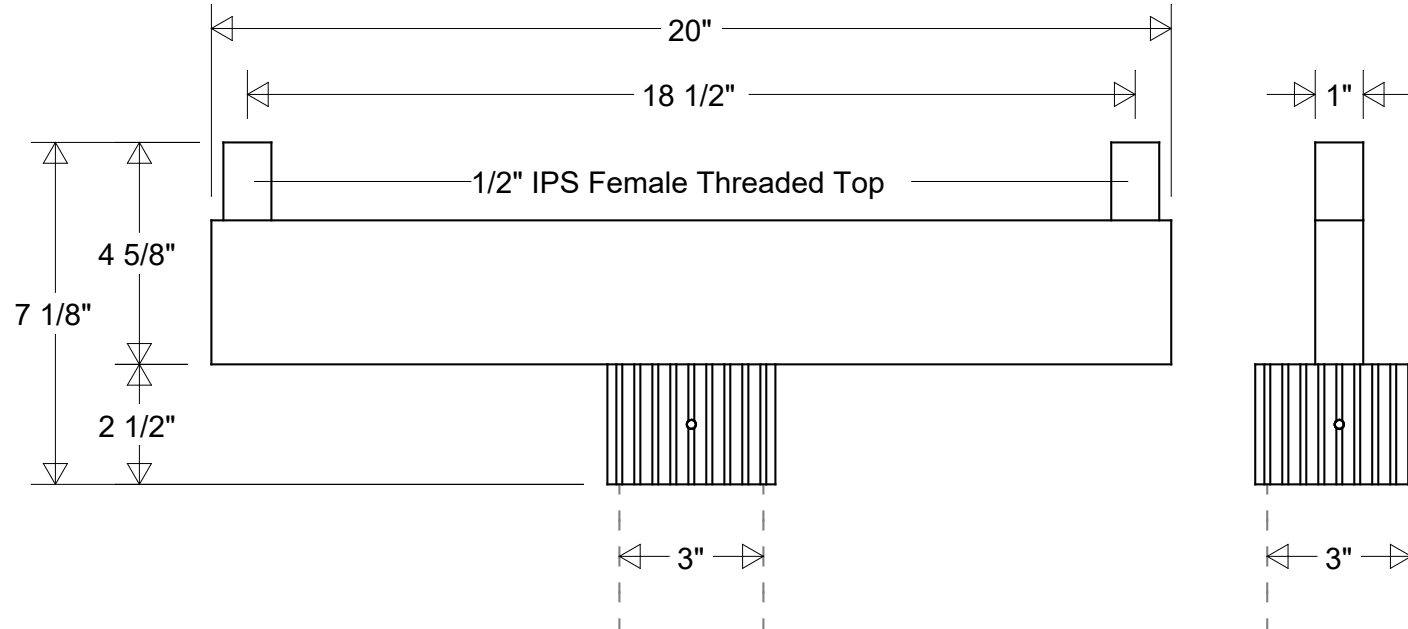


Primelite Manufacturing Corp

407 S Main St, Freeport, NY 11520

Phone: 516-868-4411 | Fax: 516-868-4609
 sales@primelite-mfg.com | www.primelite-mfg.com

PART # #1858	LAMP N/A	VOLTAGE N/A	COLOR Powder Coated Paint
JOB NAME			TYPE Post Mount Arm



Lamp: N/A	Initials	Date	#1858							
	Drawn	CB						05/2023		
	Checked			20" W Fits 1/2" IPS Male Threaded Fixtures Fits 3" OD Round Poles and Pier Mounts						
	ENG Appr.									
Construction: Aluminum	MFR Appr.		Size	Drawing No.	Rev	Revisions				
	QA		A	0001	A	Zone	Rev	Description	Date	Appr
Unless Otherwise Specified: Dimensions in Inches	Weight:		Scale	CAD File	Sheet					
					1 of 1					