

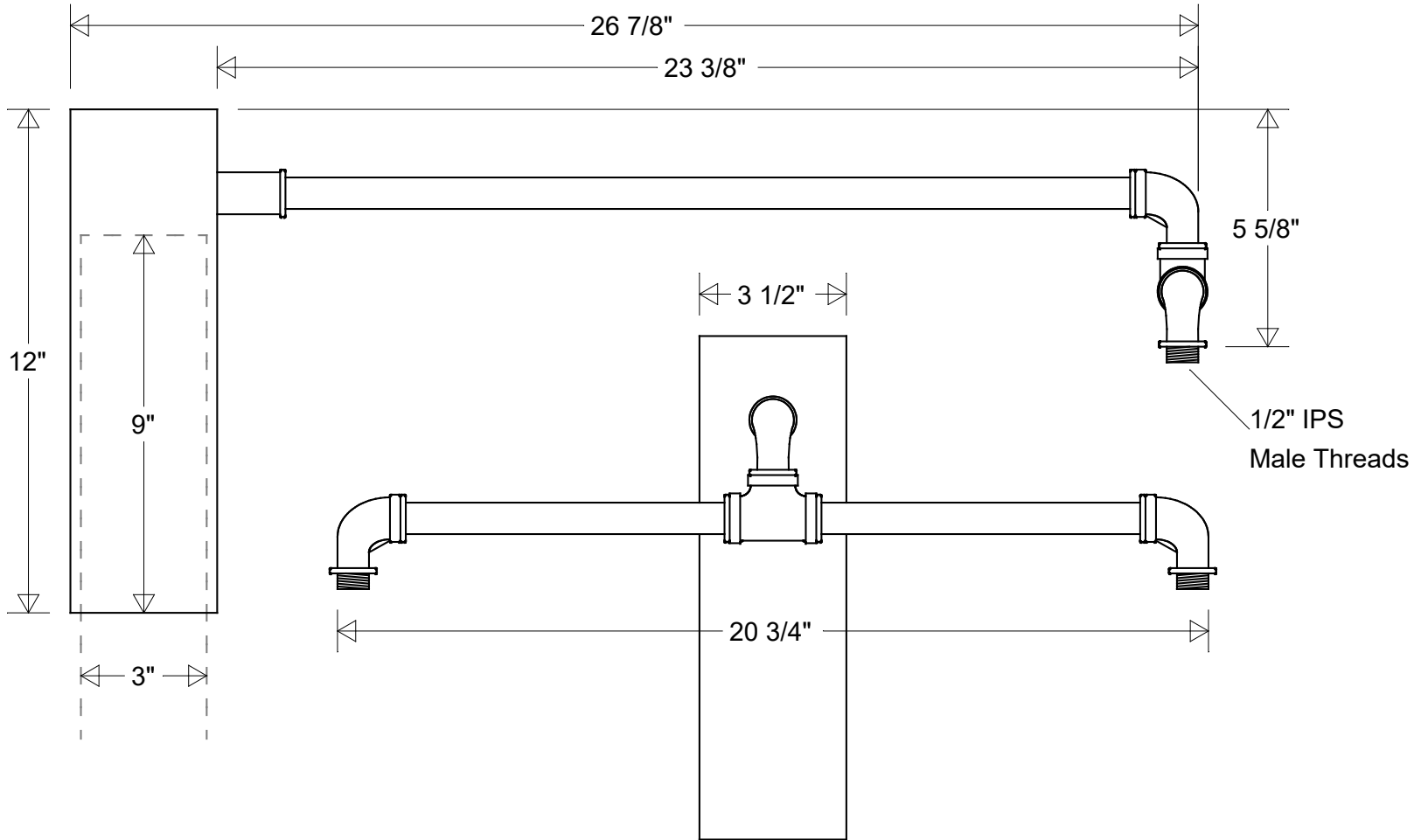


Primelite Manufacturing Corp

407 S Main St, Freeport, NY 11520

Phone: 516-868-4411 | Fax: 516-868-4609
 sales@primelite-mfg.com | www.primelite-mfg.com

PART # #1858	LAMP N/A	VOLTAGE N/A	COLOR Powder Coated Paint
JOB NAME			TYPE Post Mount Arm



Lamp: N/A	Initials	Date	#1858																																		
	Drawn	CB						05/2023																													
	Checked			26 7/8" Ext 20 3/4" W Fits 1/2" IPS Female Threads Fits 3" OD Round Poles and Pier Mounts																																	
	ENG Appr.								<table border="1"> <thead> <tr> <th colspan="5">Revisions</th> </tr> <tr> <th>Zone</th> <th>Rev</th> <th>Description</th> <th>Date</th> <th>Appr</th> </tr> </thead> <tbody> <tr><td> </td><td> </td><td> </td><td> </td><td> </td></tr> <tr><td> </td><td> </td><td> </td><td> </td><td> </td></tr> <tr><td> </td><td> </td><td> </td><td> </td><td> </td></tr> <tr><td> </td><td> </td><td> </td><td> </td><td> </td></tr> </tbody> </table>					Revisions					Zone	Rev	Description	Date	Appr														
Revisions																																					
Zone	Rev	Description	Date	Appr																																	
Construction: Aluminum	MFR Appr.		Size	Drawing No.	Rev																																
	QA		A	0001	A																																
Unless Otherwise Specified: Dimensions in Inches	Weight:		Scale	CAD File	Sheet	1 of 1																															