

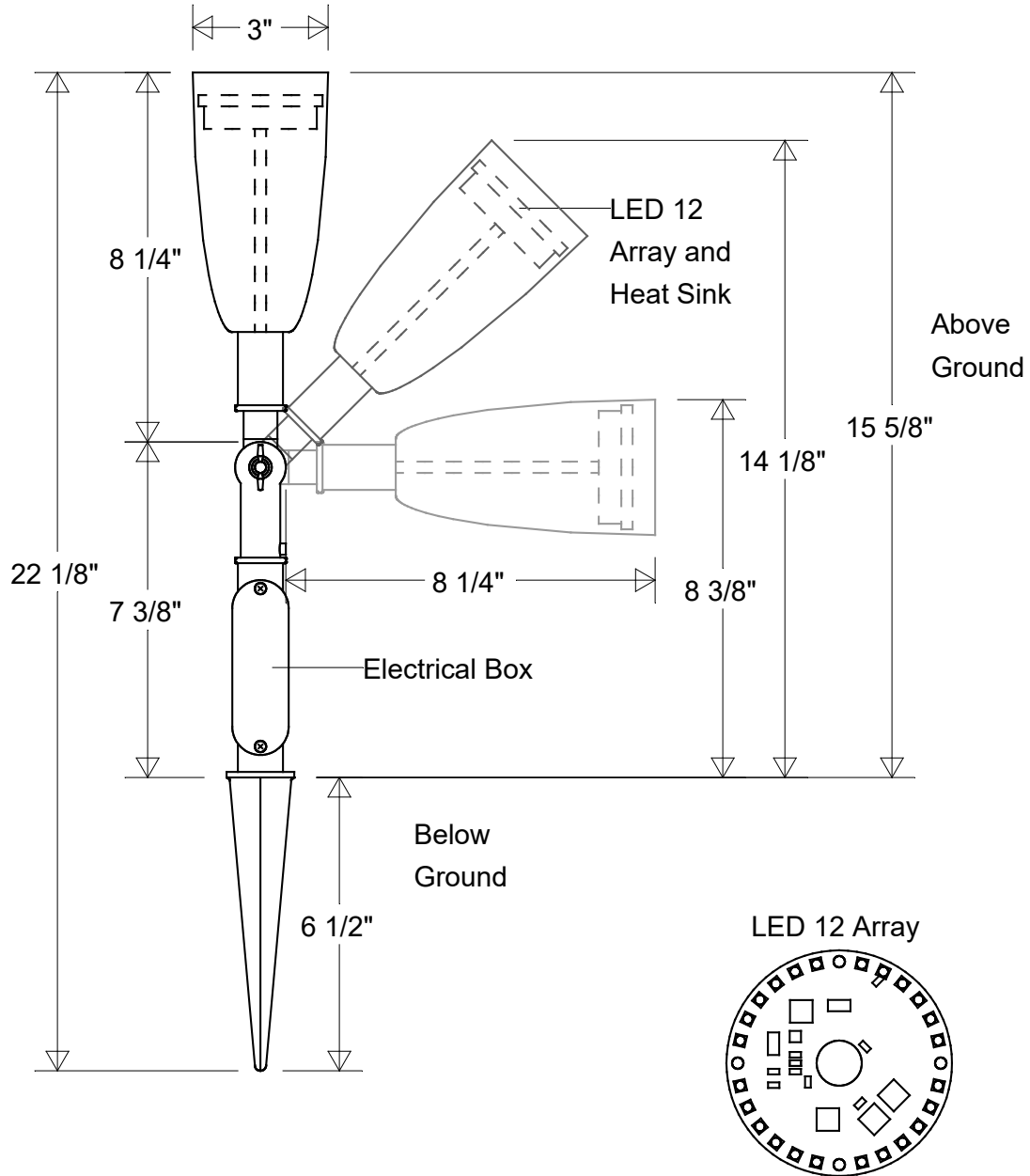



Primelite Manufacturing Corp

407 S Main St, Freeport, NY 11520

Phone: 516-868-4411 | Fax: 516-868-4609
 sales@primelite-mfg.com | www.primelite-mfg.com

PART # #18/9002B ESW	LAMP Built-In LED	VOLTAGE 120 V	COLOR Powder Coated Paint
JOB NAME			TYPE Garden Light



Lamp: LED 12 Array 60 W Inc Equivalent 3K or 4K = 800 Lumens 	Name	Date	Garden Light #18/9002B ESW LED 12			
	Drawn	CB				10/2021
	Checked			3" Dia 22 1/8" OAH Adjustable Angle		
	ENG Appr.					
MFR Appr.			Size	Drawing No.	Rev	
Construction: Aluminum	QA		A	0001	A	
Unless Otherwise Specified: Dimensions in Inches	Weight		Scale	CAD File	Sheet	
					1 of 1	

Revisions				
Zone	Rev	Description	Date	Approved