



Primelite Manufacturing Corp

407 S Main St, Freeport, NY 11520

Phone: 516-868-4411 | Fax: 516-868-4609
 sales@primelite-mfg.com | www.primelite-mfg.com

PART #

#161/1164-2 ES

LAMP

Built-In LED

VOLTAGE

120 V

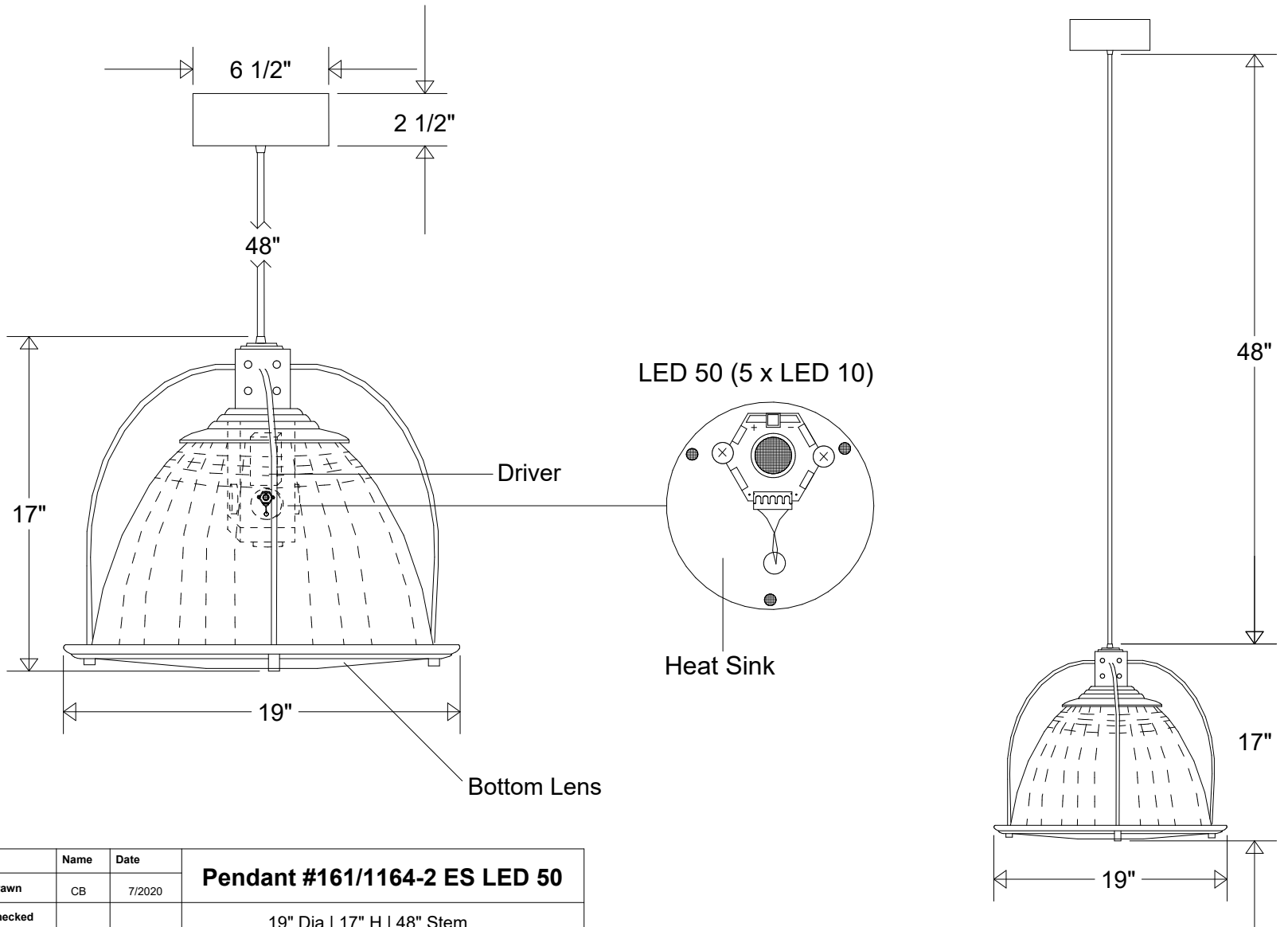
COLOR

Powder Coated Paint

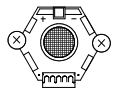
JOB NAME

TYPE

Pendant



Lamp: LED 50 (5 X LED 10 Chip)
 6325 Lumens | 150 MH Equivalent



Name Date

Drawn CB 7/2020

Checked

ENG Appr.

MFR Appr.

QA

Weight

Pendant #161/1164-2 ES LED 50

19" Dia | 17" H | 48" Stem
 Prismatic Bottom | Deep Canopy

Size Drawing No. Rev
A 0001 A

Scale CAD File Sheet
1 of 1

Revisions				
Zone	Rev	Description	Date	Approved