

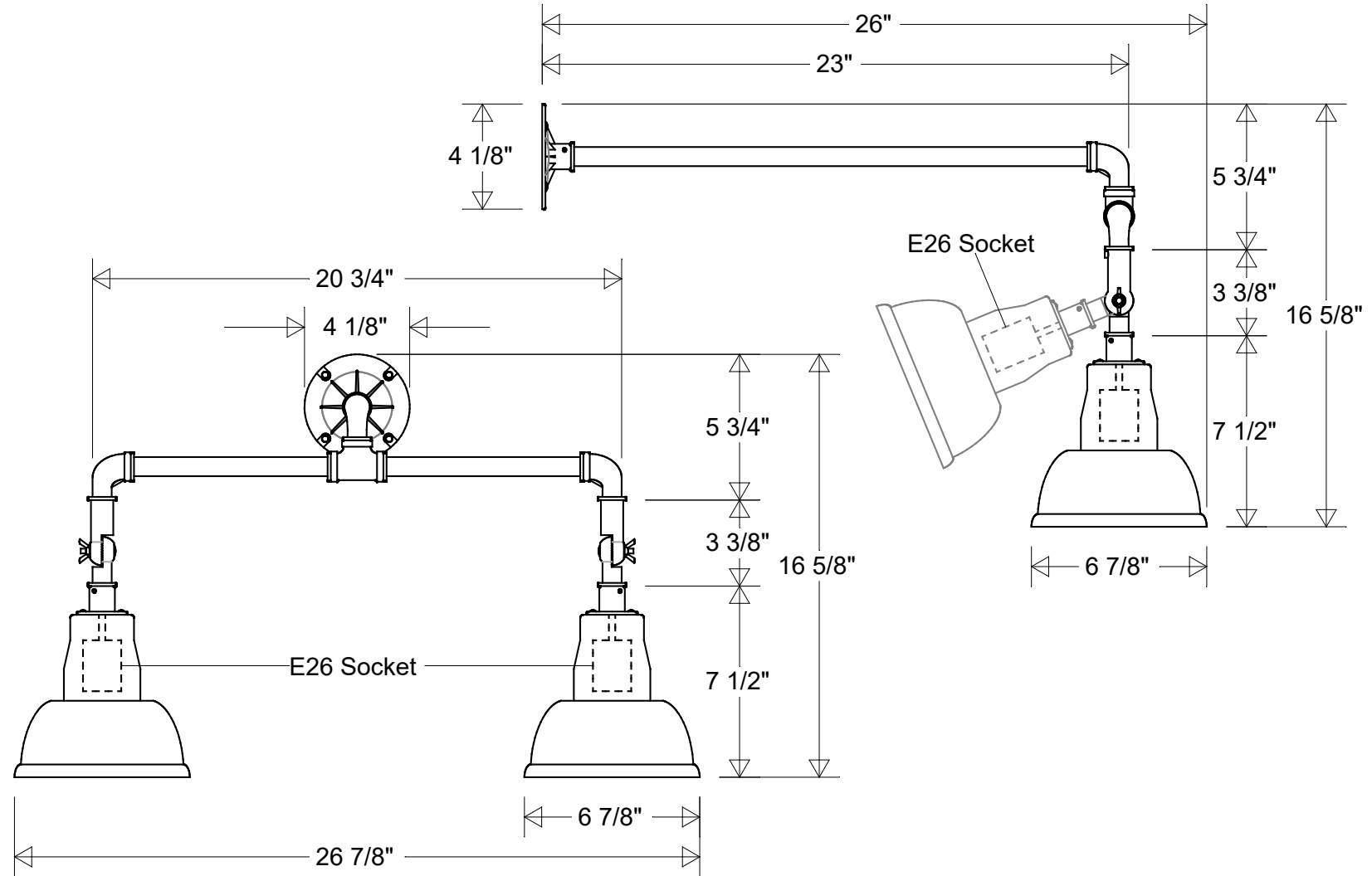



# Primelite Manufacturing Corp

407 S Main St, Freeport, NY 11520

Phone: 516-868-4411 | Fax: 516-868-4609  
 sales@primelite-mfg.com | www.primelite-mfg.com

PART # #16/858 ESW	LAMP E26 Socket	VOLTAGE 120 V	COLOR Powder Coated Paint
JOB NAME			TYPE Gooseneck



Lamp: E26 Socket x2 Max Wattage: 60 W Each 	Initials	Date	<h2>Gooseneck #16/858 ESW</h2>																																					
	Drawn	CB						04/2022																																
	Checked			6 7/8" Dia   26" Ext   26 7/8" W   16 5/8" H Adjustable Swivels																																				
Construction: Aluminum	MFR Appr.		Size	Drawing No.	Rev	<table border="1"> <thead> <tr> <th colspan="5">Revisions</th> </tr> <tr> <th>Zone</th> <th>Rev</th> <th>Description</th> <th>Date</th> <th>Appr</th> </tr> </thead> <tbody> <tr><td> </td><td> </td><td> </td><td> </td><td> </td></tr> <tr><td> </td><td> </td><td> </td><td> </td><td> </td></tr> <tr><td> </td><td> </td><td> </td><td> </td><td> </td></tr> <tr><td> </td><td> </td><td> </td><td> </td><td> </td></tr> </tbody> </table>					Revisions					Zone	Rev	Description	Date	Appr																				
Revisions																																								
Zone	Rev	Description	Date	Appr																																				
Unless Otherwise Specified: Dimensions in Inches	Weight:		Scale	CAD File	Sheet	<b>1 of 1</b>																																		