

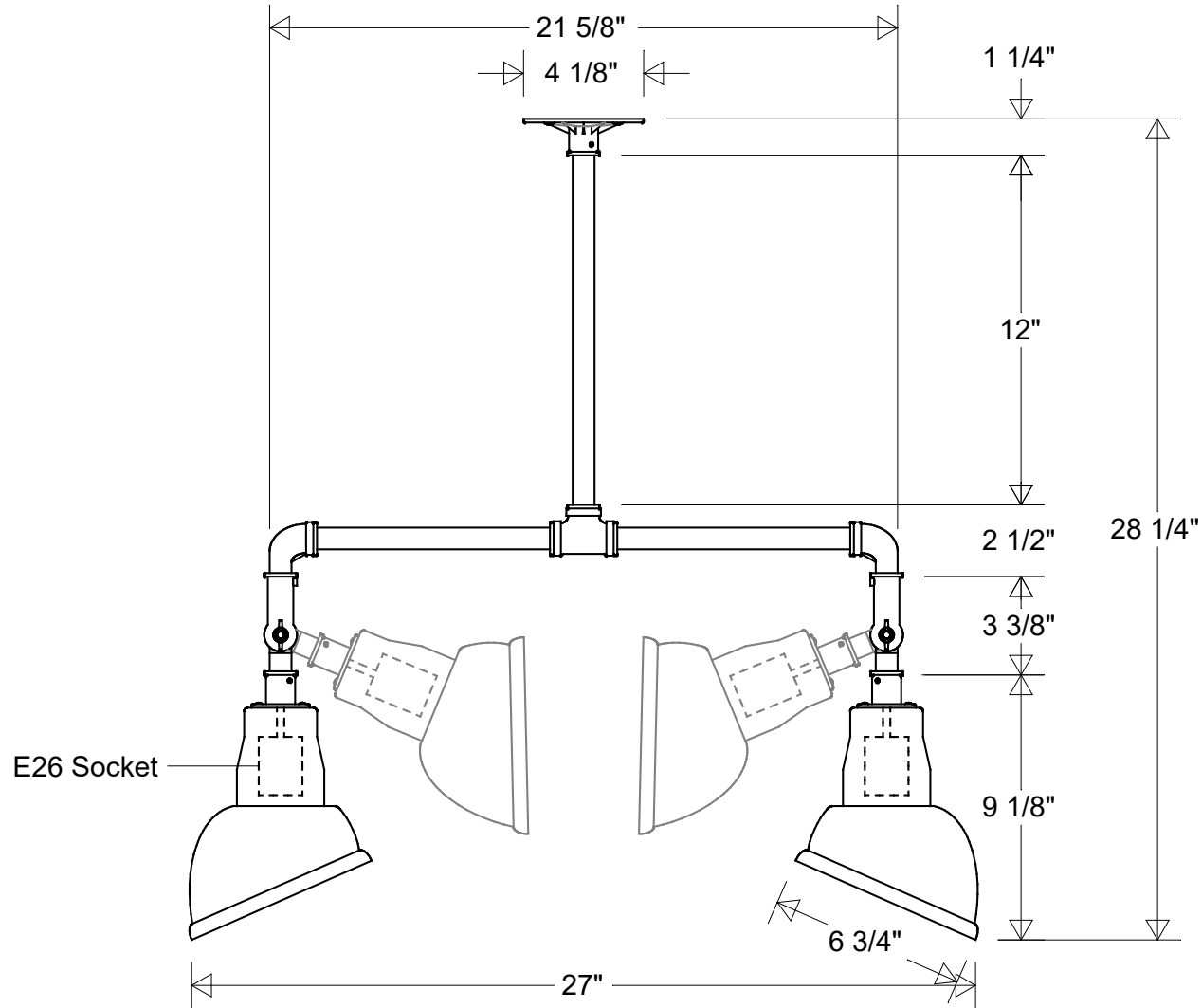


# Primelite Manufacturing Corp

407 S Main St, Freeport, NY 11520

Phone: 516-868-4411 | Fax: 516-868-4609  
 sales@primelite-mfg.com | www.primelite-mfg.com

PART # #15/122 ESW	LAMP E26 Socket	VOLTAGE 120 V	COLOR Powder Coated Paint
JOB NAME			TYPE Pendant



Lamp: E26 Socket x2  
 Max Wattage: 60 W Each



	Initials	Date
Drawn	CB	04/2022
Checked		
ENG Appr.		
MFR Appr.		
QA		

## Pendant #15/122 ESW

6 3/4" Dia | 28 1/4" H | 27" W  
 12" x 1/2 IPS Stem | Adjustable Swivels

Size	Drawing No.	Rev
<b>A</b>	<b>0001</b>	<b>A</b>

Revisions				
Zone	Rev	Description	Date	Appr

Unless Otherwise Specified:  
 Dimensions in Inches

Weight:

Scale	CAD File	Sheet
		<b>1 of 1</b>