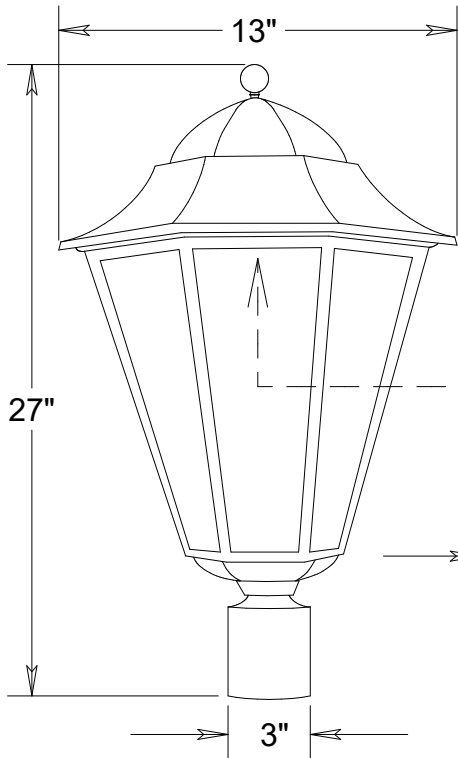




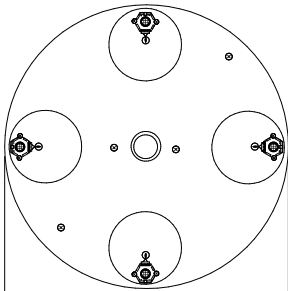
Primelite Manufacturing Corp

407 S Main St, Freeport, NY 11520
 Phone: 516-868-4411 | Fax: 516-868-4609
 sales@primelite-mfg.com | www.primelite-mfg.com

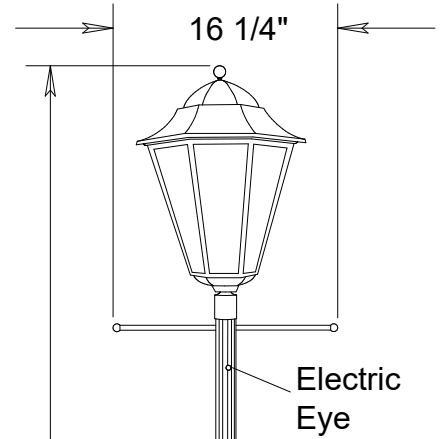
PART # #1325/8712	LAMP Incandescent LED	VOLTAGE 120 V	COLOR Powder Coated Paint
JOB NAME			TYPE Post Light



4 x LED10



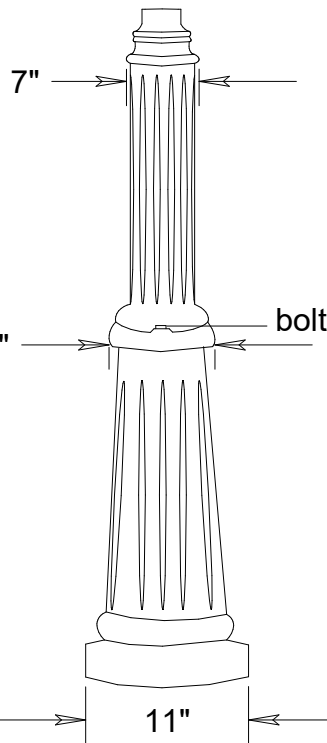
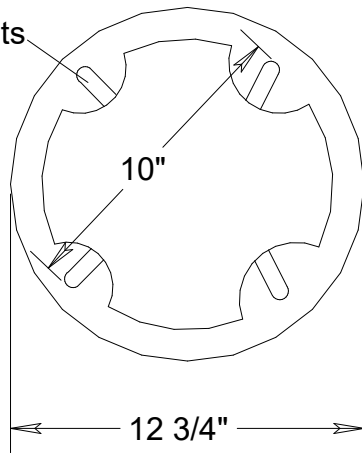
10 1/2"



14' 3"

10" bolt circle

slots for bolts



bolt

Lamp: Incandescent | LED



LED 40 (4X LED 10)

Name Date

Drawn CB 8/19

Checked

ENG Appr.

MFR Appr.

QA

Weight

Post Light #1325-8712 LED 40 LR E/E

14' 3" H | 15 1/4" W

Size
A

Drawing No.
0001

Rev
A

Scale

CAD File

Sheet

1 of 1

Revisions				
Zone	Rev	Description	Date	Approved