



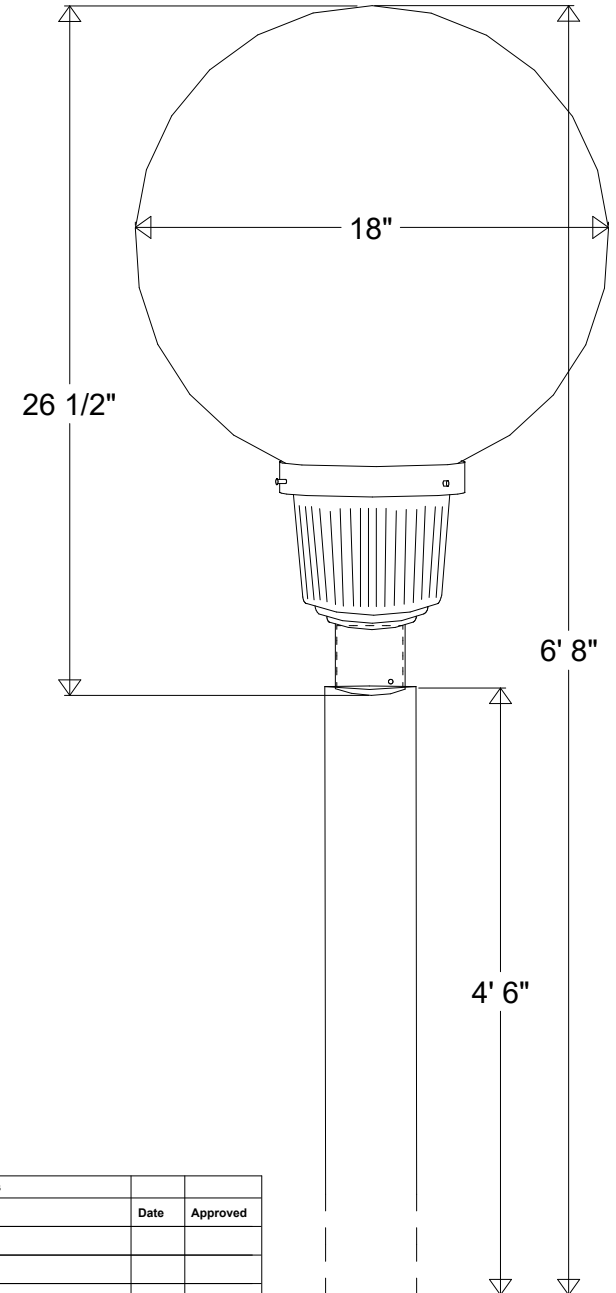
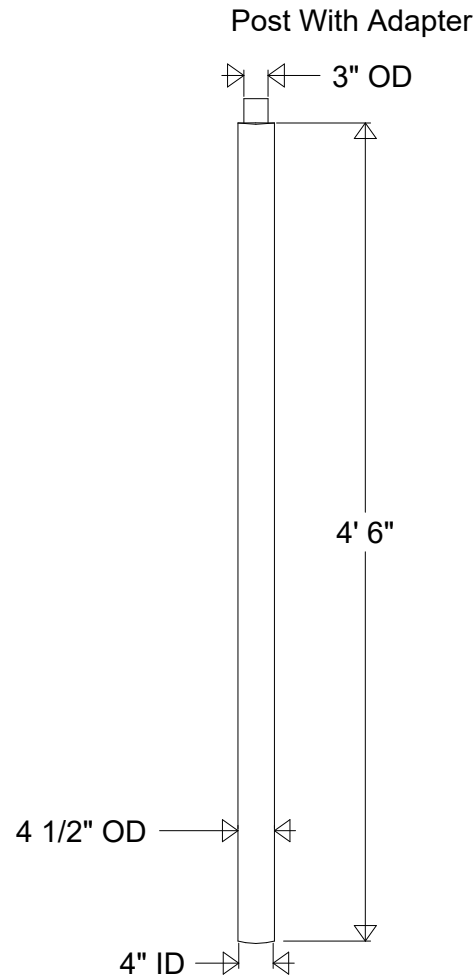
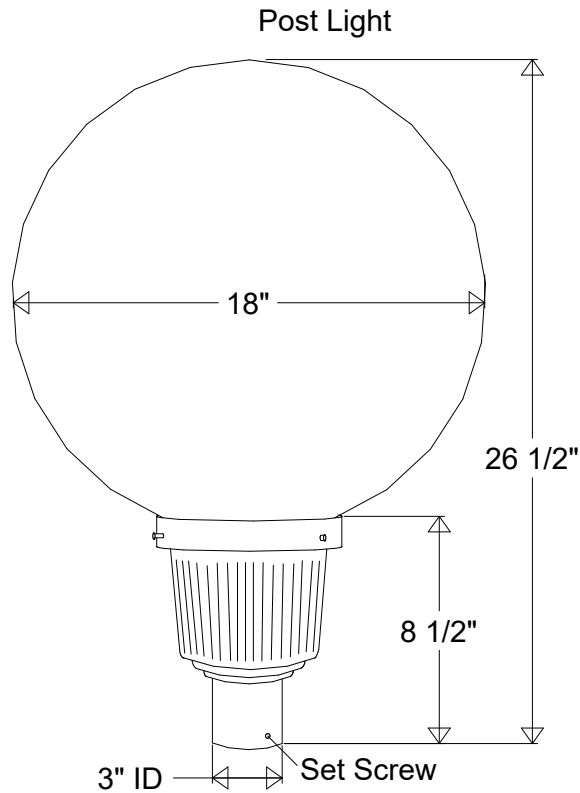
# Primelite Manufacturing Corp


407 S Main St, Freeport, NY 11520

Phone: 516-868-4411 | Fax: 516-868-4609

sales@primelite-mfg.com | www.primelite-mfg.com

<b>PART #</b> #1228B/6127 Special	<b>LAMP</b> Incandescent   LED	<b>VOLTAGE</b> 120 V	<b>COLOR</b> Powder Coated Paint
<b>JOB NAME</b>			<b>TYPE</b> Post Light



<b>Lamp:</b> Incandescent   LED   1/200A	<b>Name</b>	<b>Date</b>	<b>Post Light #1288B/6127 Special</b>  18" Dia   4" ID Post 6' 8" OAH   Acrylic Globe			
	<b>Drawn</b>	CB			12/19	
	<b>Checked</b>					
	<b>ENG Appr.</b>			<b>Size</b>	<b>Drawing No.</b>	<b>Rev</b>
<b>MFR Appr.</b>			<b>A</b>	<b>0001</b>	<b>A</b>	
<b>QA</b>			<b>Weight</b>	<b>Scale</b>	<b>CAD File</b>	<b>Sheet</b>
<b>Unless Otherwise Specified:</b> Dimensions in Inches						<b>1 of 1</b>

Revisions				
Zone	Rev	Description	Date	Approved