



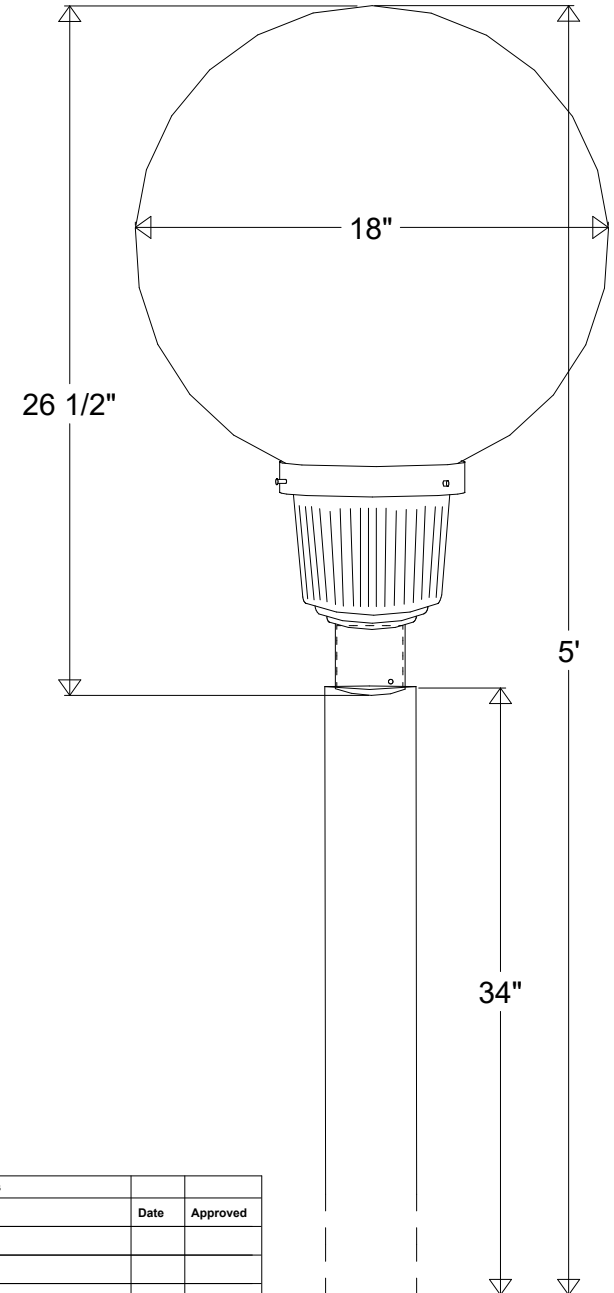
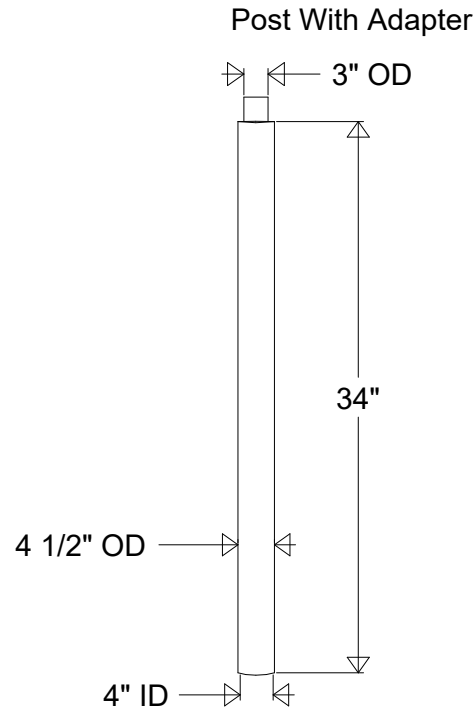
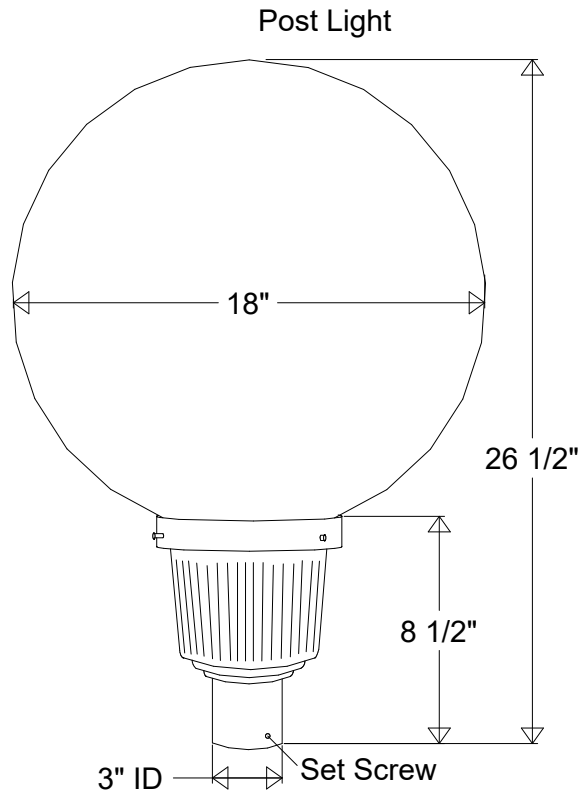
Primelite Manufacturing Corp


407 S Main St, Freeport, NY 11520

Phone: 516-868-4411 | Fax: 516-868-4609

sales@primelite-mfg.com | www.primelite-mfg.com

PART # #1228B/6127 Special	LAMP Incandescent LED	VOLTAGE 120 V	COLOR Powder Coated Paint
JOB NAME			TYPE Post Light



Lamp: Incandescent LED  1/200A	Name	Date	Post Light #1288B/6127 Special		
	Drawn	CB			12/19
	Checked				
	ENG Appr.			18" Dia 4" ID Post 5' OAH Acrylic Globe	
MFR Appr.			Size	Drawing No.	Rev
QA			A	0001	A
Construction: Aluminum Acrylic	Weight		Scale	CAD File	Sheet
Unless Otherwise Specified: Dimensions in Inches					1 of 1

Revisions				
Zone	Rev	Description	Date	Approved