



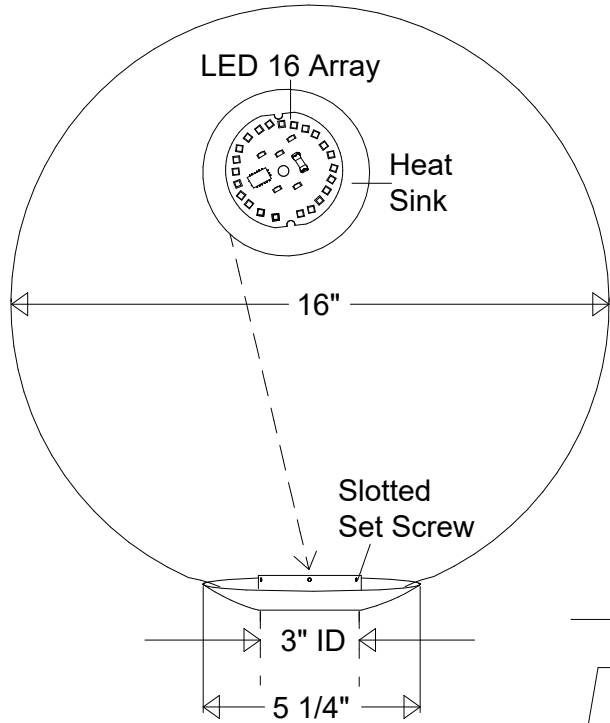
Primelite Manufacturing Corp

407 S Main St, Freeport, NY 11520

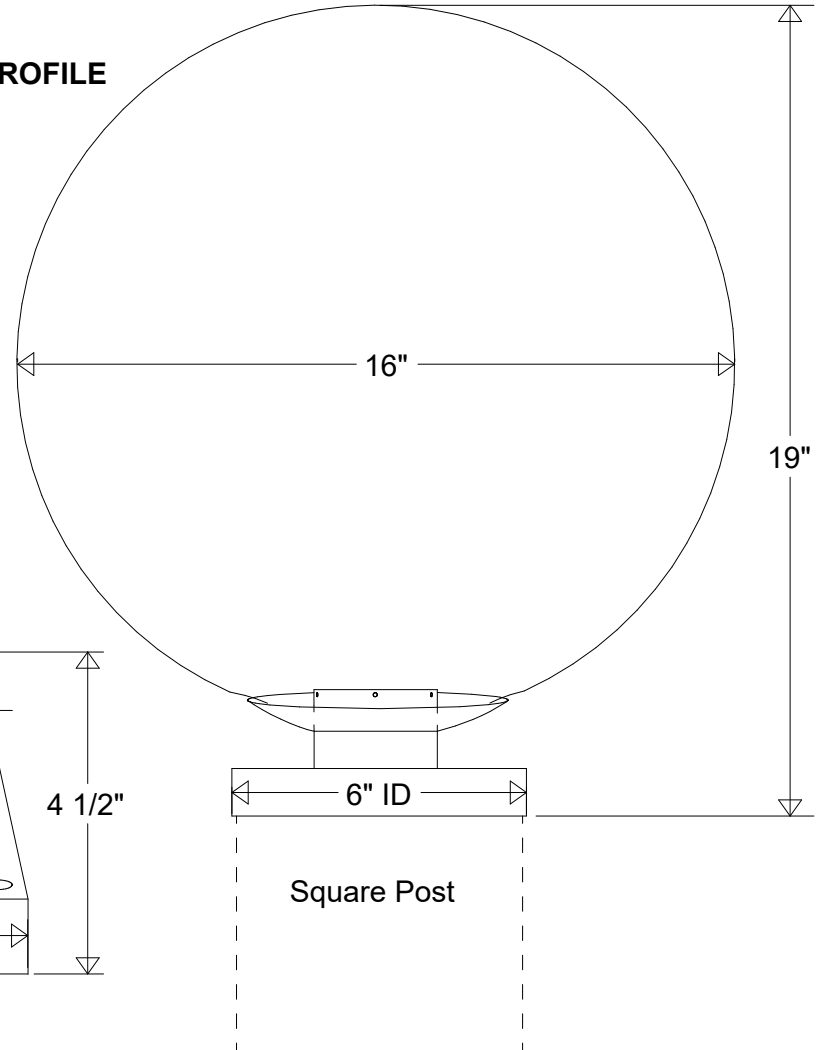
Phone: 516-868-4411 | Fax: 516-868-4609
 sales@primelite-mfg.com | www.primelite-mfg.com

| | | | |
|--------------------------------|-----------------------------------|-------------------------|-------------------------------------|
| PART # #1286 Special | LAMP Incandescent LED | VOLTAGE 120 V | COLOR Powder Coated Paint |
| JOB NAME | | | TYPE Post Light |

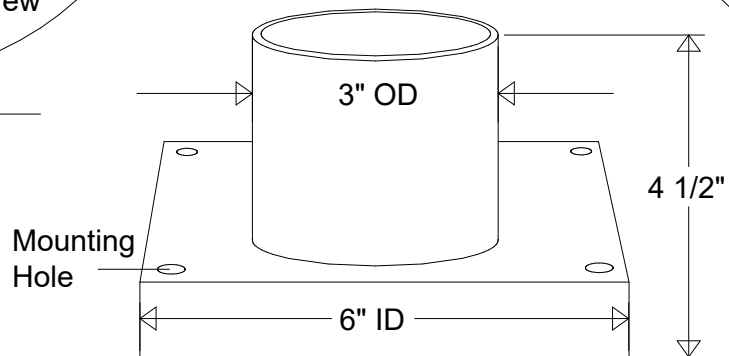
GLOBE




PROFILE



ADAPTER



| | | | | |
|---|------------------|--------------|--|-------|
| Lamp: Incandescent LED  LED 16 | Name | Date | Post Light #1286 LED 16 Special 16" Dia 19" H Blue Acrylic Globe | |
| | Drawn | CB | | 12/19 |
| | Checked | | | |
| | ENG Appr. | | | |
| MFR Appr. | | | Size Drawing No. Rev A 0001 A | |
| Construction: Aluminum Acrylic | QA | | | |
| Unless Otherwise Specified: Dimensions in Inches | Weight | Scale | CAD File Sheet 1 of 1 | |

| Revisions | | | | |
|-----------|-----|-------------|------|----------|
| Zone | Rev | Description | Date | Approved |
| | | | | |
| | | | | |
| | | | | |