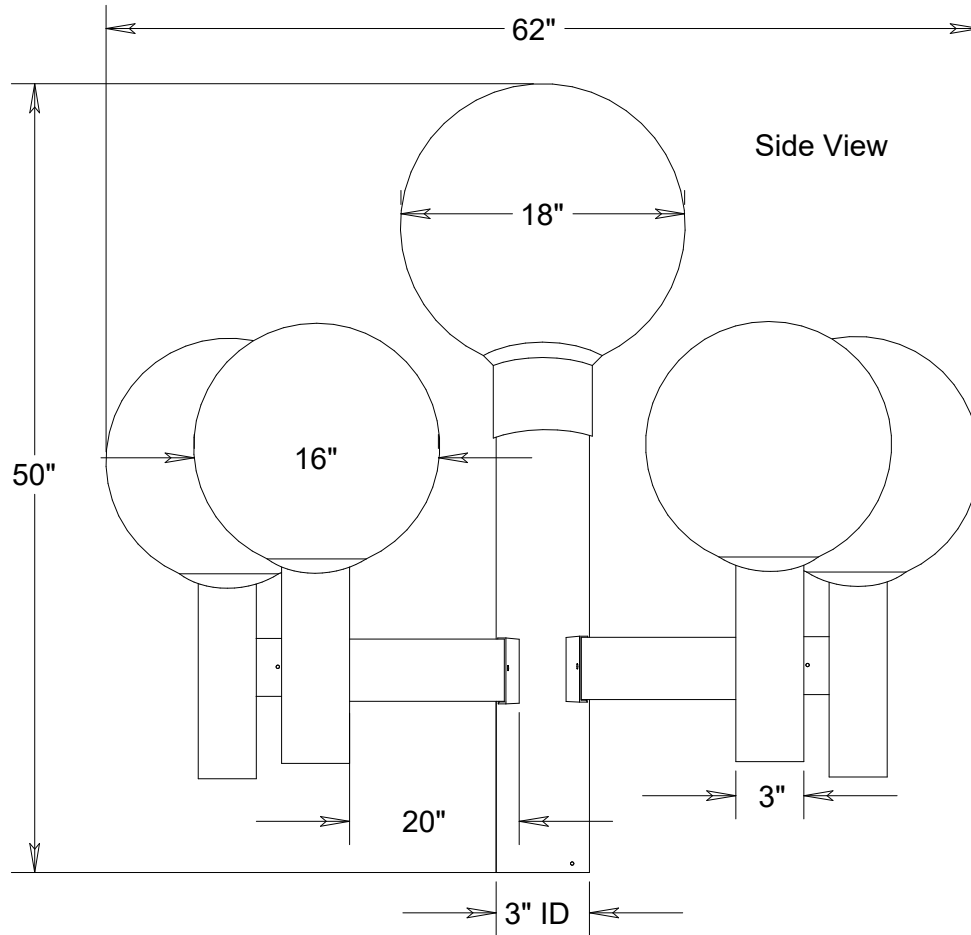


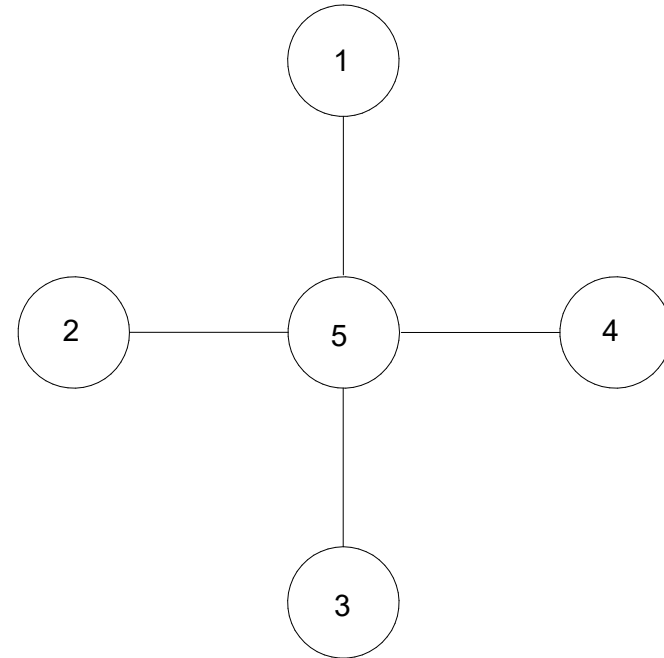
Primelite Manufacturing Corp


407 S Main St, Freeport, NY 11520
 Phone: 516-868-4411 | Fax: 516-868-4609
 sales@primelite-mfg.com | www.primelite-mfg.com

PART # #1286-3 H5	LAMP Incandescent LED	VOLTAGE 120 V	COLOR Powder Coated Paint
JOB NAME			TYPE Post Light



Top View



Lamp: Incandescent LED  5/200A	Name	Date	Post Light #1286-3 H5 Special			
	Drawn	CB				7/19
	Checked					
	ENG Appr.			20" Arm 16" Dia White Acrylic Globes x4 18" Dia White Acrylic Globe Center		
	MFR Appr.			Size	Drawing No.	Rev
Construction: Aluminum	QA		A	0001	A	
Unless Otherwise Specified: Dimensions in Inches	Weight		Scale	CAD File	Sheet 1 of 1	

Revisions				
Zone	Rev	Description	Date	Approved