

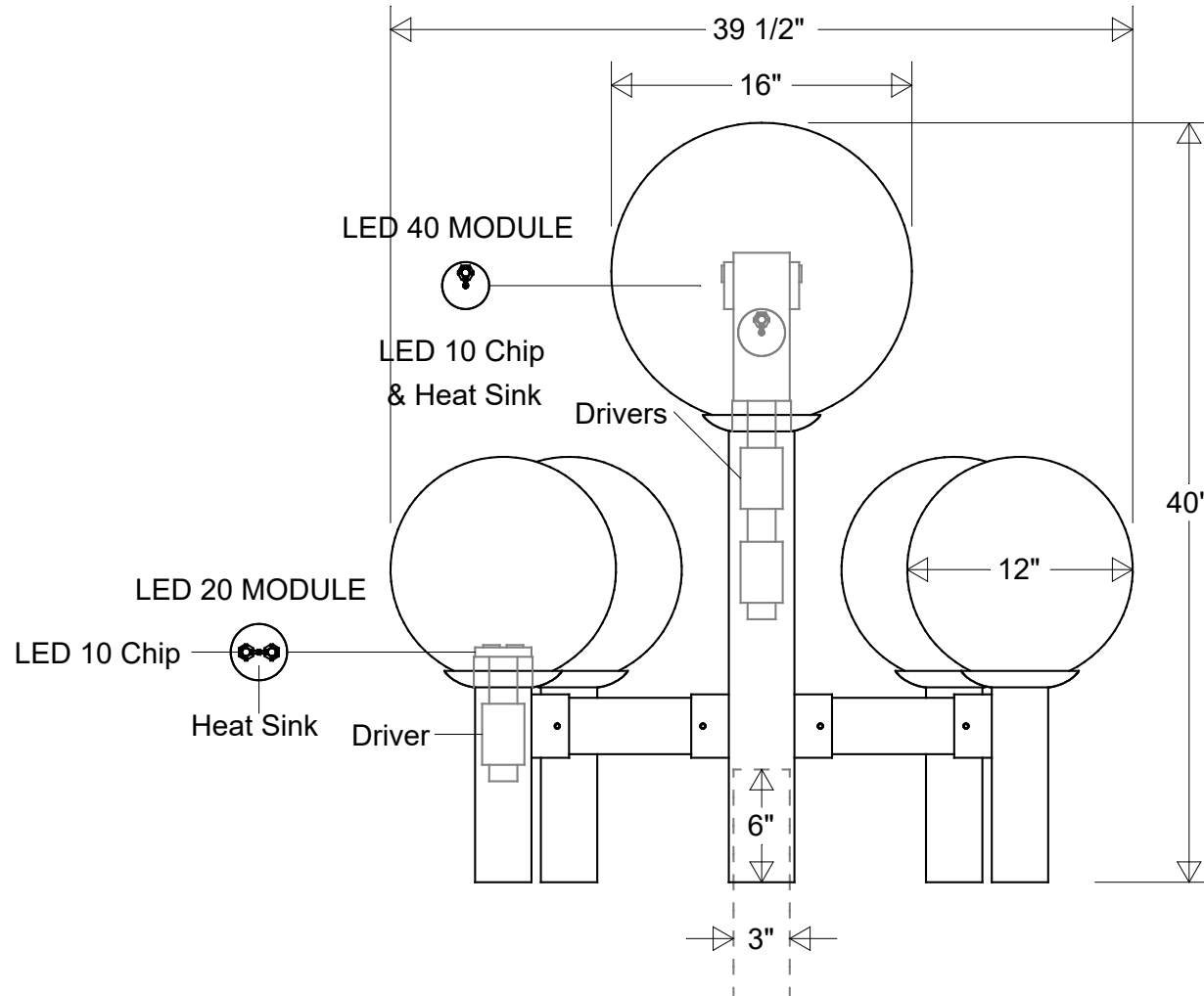


Primelite Manufacturing Corp

407 S Main St, Freeport, NY 11520

Phone: 516-868-4411 | Fax: 516-868-4609
 sales@primelite-mfg.com | www.primelite-mfg.com

| | | | |
|-----------------------------------|----------------------|------------------|------------------------------|
| PART # #1282 LED 20 H5 Special | LAMP Built-In LED | VOLTAGE 120 V | COLOR Powder Coated Paint |
| JOB NAME | | | TYPE Post Light |



Lamp: LED 20 Module

200 W Inc Equivalent
 3K = 2530 Lumens
 4K = 2550 Lumens



Lamp: LED 40 Module

125 W MH Equivalent
 3K = 5060 Lumens
 4K = 5100 Lumens

Construction:
 Aluminum | Acrylic

Unless Otherwise Specified:
 Dimensions in Inches

| | | |
|-----------|----------|---------|
| | Initials | Date |
| Drawn | CB | 09/2022 |
| Checked | | |
| ENG Appr. | | |
| MFR Appr. | | |
| QA | | |

Post Light #1282 LED 20 H5 Special

39 1/2" W | 40" H | Fits 3" OD Round Posts & Pier Mounts

Acrylic Globes: Smoke (1) | White (3) | Clear (4)

| | | |
|----------|-------------|----------|
| Size | Drawing No. | Rev |
| A | 0001 | A |

| | | |
|-------|----------|---------------|
| Scale | CAD File | Sheet |
| | | 1 of 1 |

| Revisions | | | | |
|-----------|-----|-------------|------|------|
| Zone | Rev | Description | Date | Appr |
| | | | | |
| | | | | |
| | | | | |