



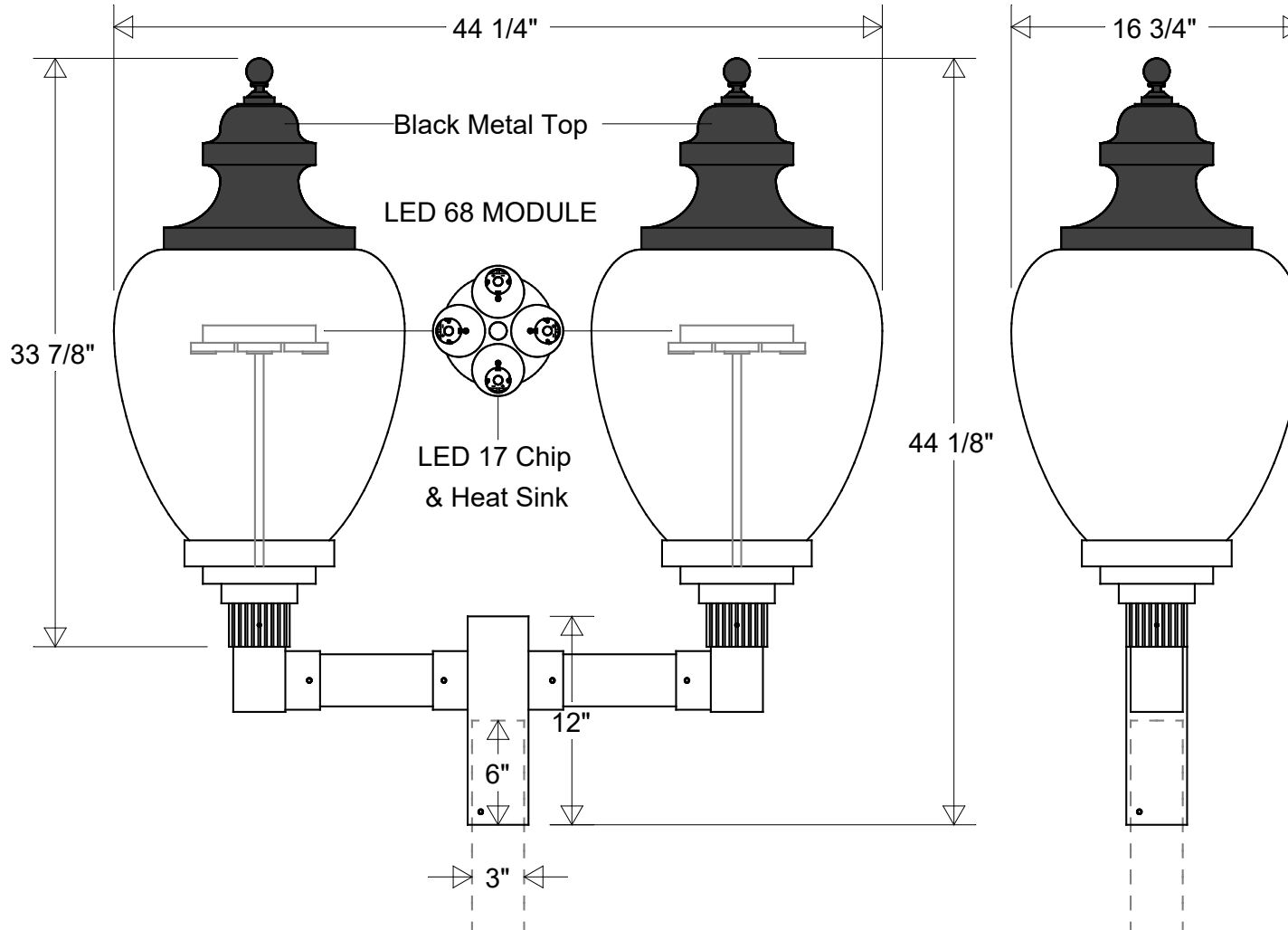
# Primelite Manufacturing Corp

407 S Main St, Freeport, NY 11520

Phone: 516-868-4411 | Fax: 516-868-4609

sales@primelite-mfg.com | www.primelite-mfg.com

PART # #1230 LED 68 H2	LAMP Built-In LED	VOLTAGE 120-277 V	COLOR Powder Coated Paint
JOB NAME			TYPE Post Light



Lamp: LED 68 (LED 17 Chip X 4)  
175 W MH Equivalent  
3K = 7712 Lumens  
4K = 8552 Lumens



	Initials	Date
Drawn	CB	09/2022
Checked		
ENG Appr.		
MFR Appr.		
QA		

## Post Light #1230 LED 68 H2 Special

16 3/4" Dia | 44 1/8" H | Polycarbonate Globe | Metal Top & Finial

Fits 3" OD Round Posts and Pier Mounts

Size	Drawing No.	Rev
<b>A</b>	<b>0001</b>	<b>A</b>

Scale	CAD File	Sheet
		<b>1 of 1</b>

Revisions				
Zone	Rev	Description	Date	Appr