



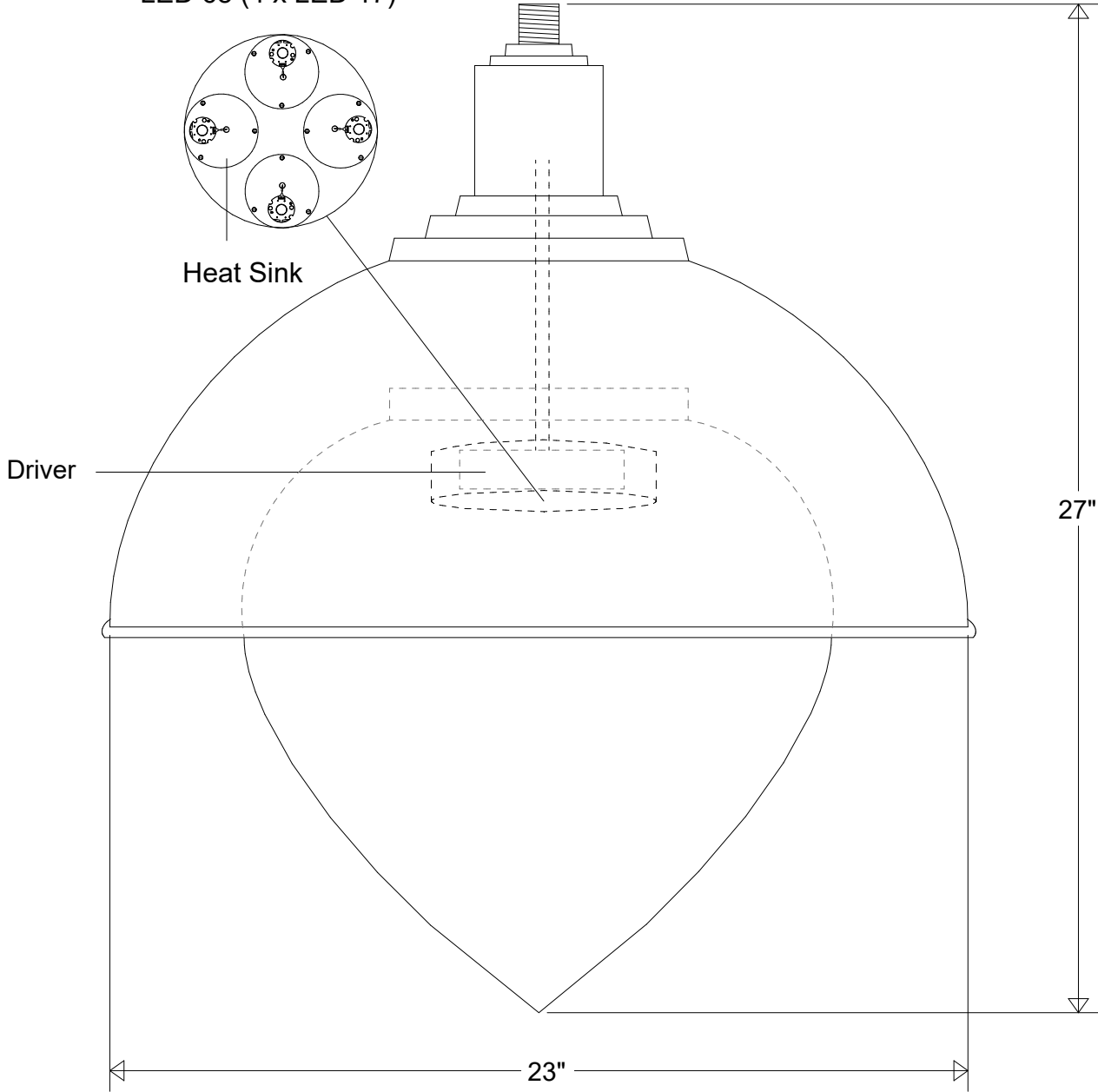
Primelite Manufacturing Corp

407 S Main St, Freeport, NY 11520

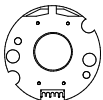
Phone: 516-868-4411 | Fax: 516-868-4609
 sales@primelite-mfg.com | www.primelite-mfg.com

PART # #1197/23D	LAMP Built-In LED	VOLTAGE 120 V	COLOR Powder Coated Paint
JOB NAME			TYPE Extra Heavy Gooseneck Shade

LED 68 (4 x LED 17)



Lamp: LED 68 (4 X LED 17 Chip)
 7712 Lumens | 175 MH Equivalent



Construction: Aluminum | Acrylic
 Unless Otherwise Specified:
 Dimensions in Inches

Name	Date	Gooseneck Shade #1197/23D LED 68		
Drawn	CB	6/2020	23" Dia 27" H Acrylic Lens	
Checked			Size	Drawing No.
ENG Appr.			A	0001
MFR Appr.			Rev	A
QA			Scale	CAD File
Weight			Sheet	1 of 1

Revisions				
Zone	Rev	Description	Date	Approved