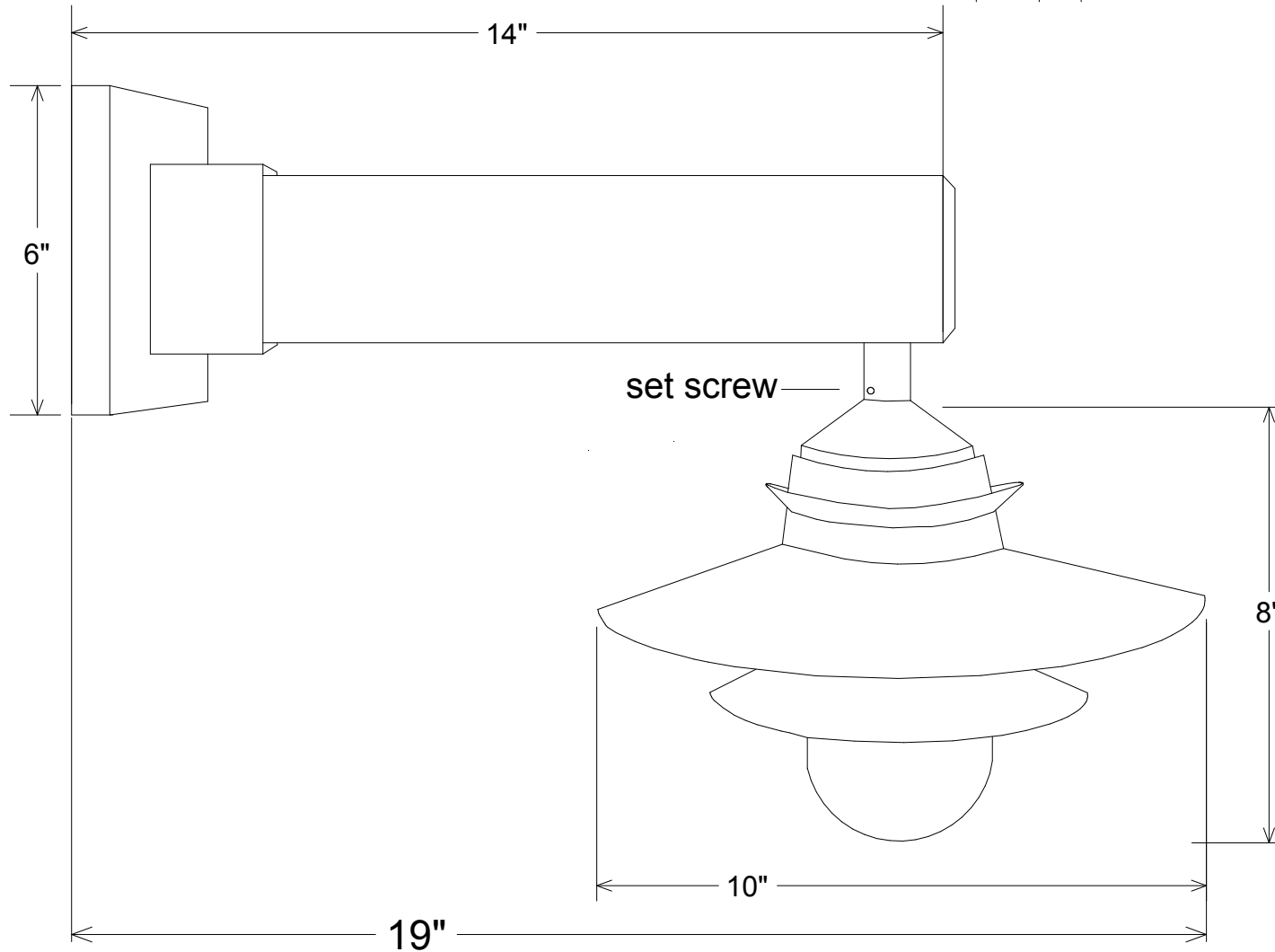


Revisions			Date	Approved
Zone	Rev	Description		



<b>Unless Otherwise Specified:</b> Dimensions in Inches Tolerances: Fractional ± Angular: Mach ± Bend ± Two Place Decimal ± Three Place Decimal ±	<b>Drawn</b>	T.A.R.	11/23/09	<b>Primelite Mfg. Corp.</b>  <b>9281/861</b>
	<b>Checked</b>			
	<b>ENG Appr.</b>			
	<b>MFR Appr.</b>			
	<b>QA</b>			
<b>Construction: All Aluminum</b>	<b>Comments</b>		Size <b>A</b> Drawing No. <b>0001</b> Rev <b>A</b>	
<b>Pipe Size: 1/2"</b>	CAD Generated Drawing Do Not Manually Update		Scale <b>1:4</b> CAD File    Sheet <b>1 of 1</b>	
<b>Lamp: 1-100A</b>				