

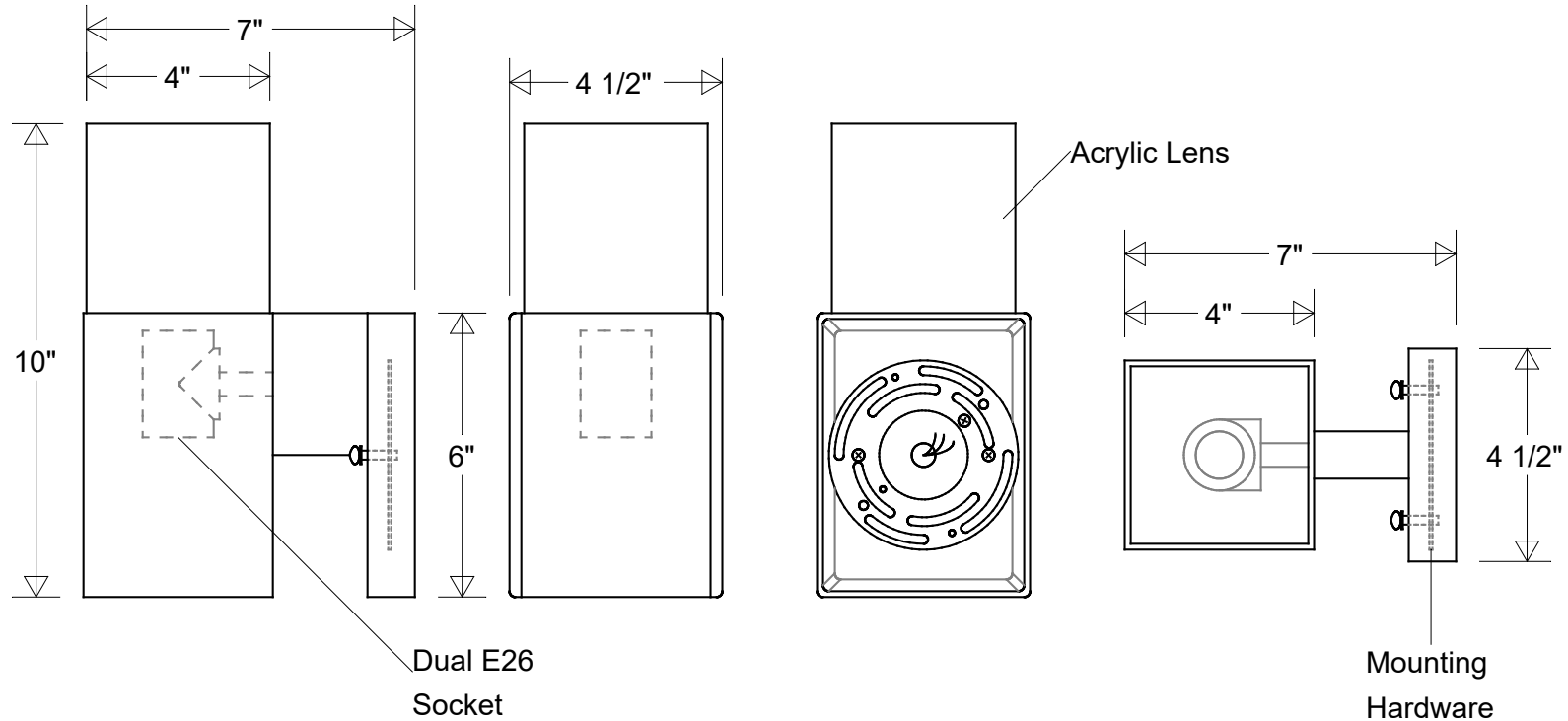



Primelite Manufacturing Corp

407 S Main St, Freeport, NY 11520

Phone: 516-868-4411 | Fax: 516-868-4609
 sales@primelite-mfg.com | www.primelite-mfg.com

PART # #9211	LAMP Dual E26 Socket	VOLTAGE 120 V	COLOR Powder Coated Paint
JOB NAME			TYPE Wall Sconce



Lamp: Dual E26 Socket Max Wattage: 60 W Each 	Initials	Date	<h2>Wall Sconce #9211</h2>								
	Drawn	CB						01/2023			
	Checked			4" W 10" H 7" Ext		Revisions					
ENG Appr.			Lens: Smoke(/1) White(/3) Clear(/4) Frosted(/5)		Zone	Rev	Description	Date	Appr		
Construction: Aluminum Acrylic	MFR Appr.		Size	Drawing No.	Rev						
Unless Otherwise Specified: Dimensions in Inches	QA		A	0001	A						
Weight:			Scale	CAD File	Sheet						1 of 1