

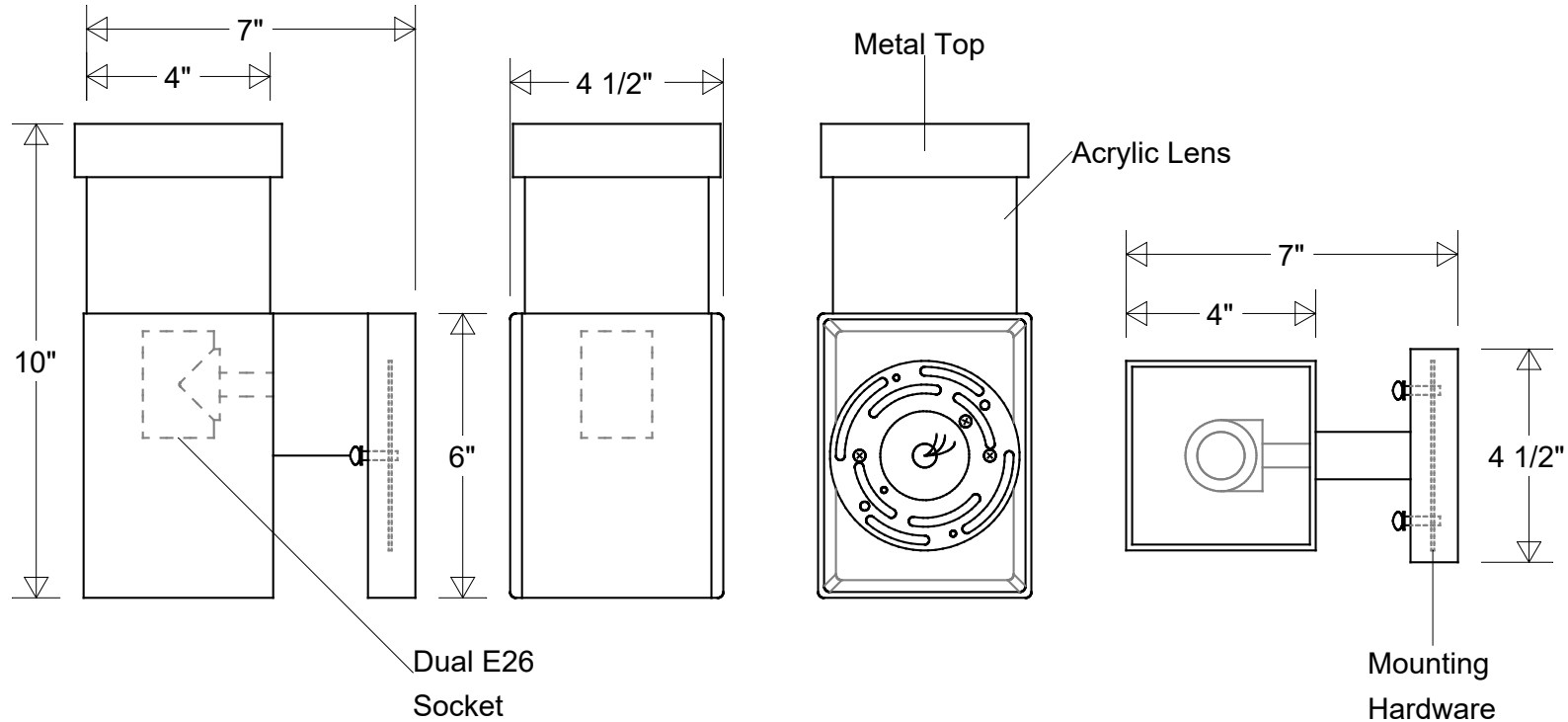



Primelite Manufacturing Corp

407 S Main St, Freeport, NY 11520

Phone: 516-868-4411 | Fax: 516-868-4609
 sales@primelite-mfg.com | www.primelite-mfg.com

PART # #9211 Cap	LAMP Dual E26 Socket	VOLTAGE 120 V	COLOR Powder Coated Paint
JOB NAME			TYPE Wall Sconce



Lamp: Dual E26 Socket Max Wattage: 60 W Each 	Initials	Date	Wall Sconce #9211 Cap 4" W 10" H 7" Ext Lens: Smoke(/1) White(/3) Clear(/4) Frosted(/5)																																		
	Drawn	CB						01/2023																													
	Checked			<table border="1" style="width: 100%;"> <thead> <tr> <th colspan="5">Revisions</th> </tr> <tr> <th>Zone</th> <th>Rev</th> <th>Description</th> <th>Date</th> <th>Appr</th> </tr> </thead> <tbody> <tr><td> </td><td> </td><td> </td><td> </td><td> </td></tr> <tr><td> </td><td> </td><td> </td><td> </td><td> </td></tr> <tr><td> </td><td> </td><td> </td><td> </td><td> </td></tr> <tr><td> </td><td> </td><td> </td><td> </td><td> </td></tr> </tbody> </table>					Revisions					Zone	Rev	Description	Date	Appr																			
Revisions																																					
Zone	Rev	Description	Date	Appr																																	
Construction: Aluminum Acrylic	MFR Appr.		Size	Drawing No.	Rev																																
Unless Otherwise Specified: Dimensions in Inches	Weight:		Scale	CAD File	Sheet	1 of 1																															