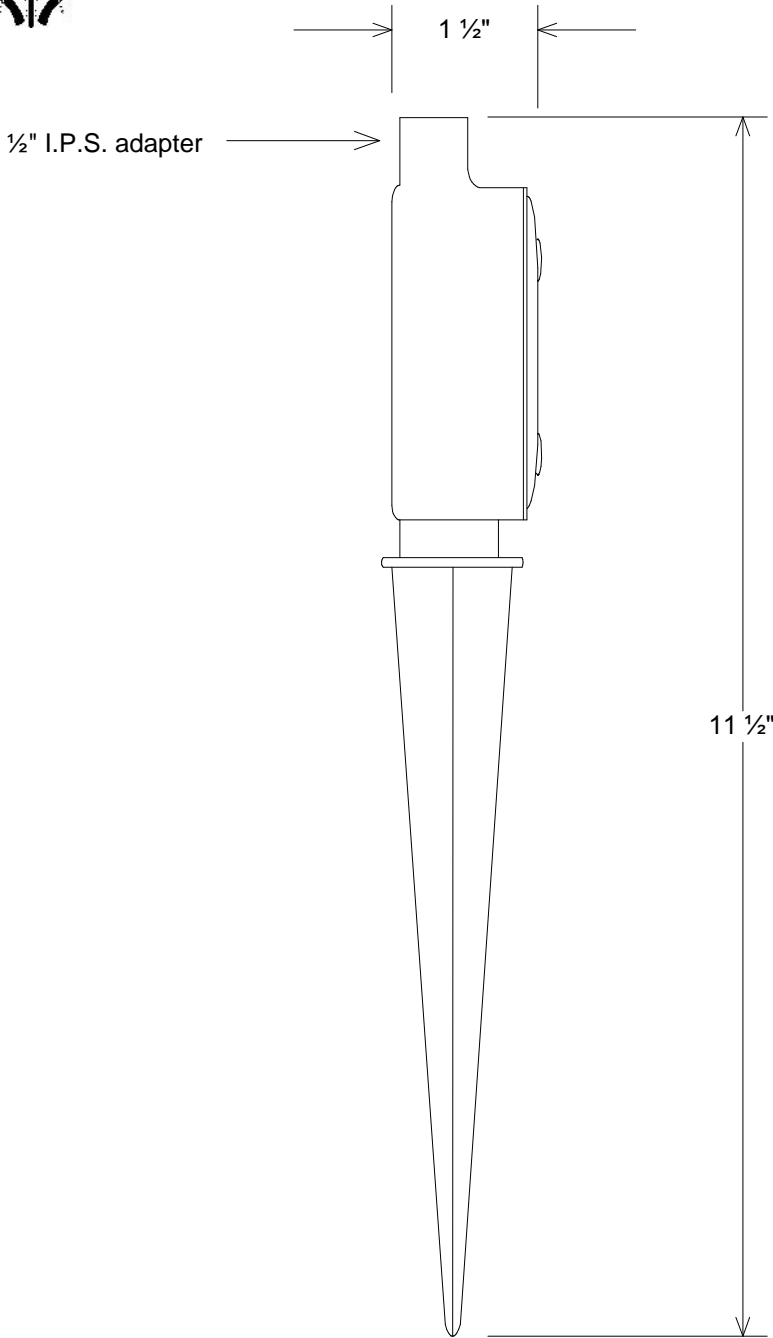




# Primelite Manufacturing Corp

407 S Main St, Freeport, NY 11520  
 Phone: 516-868-4411 | Fax: 516-868-4609  
 sales@primelite-mfg.com | www.primelite-mfg.com

|                         |      |         |                                      |
|-------------------------|------|---------|--------------------------------------|
| PART #<br><b>#9004B</b> | LAMP | VOLTAGE | COLOR<br><b>Powder Coated Colors</b> |
| JOB NAME                |      |         | TYPE<br><b>Garden Stake</b>          |



| <b>Unless Otherwise Specified:</b><br>Dimensions in Inches<br>Tolerances: Fractional ±<br>Angular: Mach ± Bend ±<br>Two Place Decimal ±<br>Three Place Decimal ± | Name      |          | Date                                  | <b>Stake #9004B</b> |          |  | <table border="1"> <thead> <tr> <th colspan="5">Revisions</th> </tr> <tr> <th>Zone</th> <th>Rev</th> <th>Description</th> <th>Date</th> <th>Approved</th> </tr> </thead> <tbody> <tr><td> </td><td> </td><td> </td><td> </td><td> </td></tr> <tr><td> </td><td> </td><td> </td><td> </td><td> </td></tr> <tr><td> </td><td> </td><td> </td><td> </td><td> </td></tr> <tr><td> </td><td> </td><td> </td><td> </td><td> </td></tr> </tbody> </table> |  |  |  |  | Revisions |  |  |  |  | Zone | Rev | Description | Date | Approved |  |  |  |  |  |  |  |  |  |  |  |  |  |  |  |  |  |  |  |  |
|--|-----------|----------|---------------------------------------|---------------------|----------|--|--|--|--|--|--|-----------|--|--|--|--|------|-----|-------------|------|----------|--|--|--|--|--|--|--|--|--|--|--|--|--|--|--|--|--|--|--|--|
|  | Revisions |          |                                       |                     |          |  |  |  |  |  |  |           |  |  |  |  |      |     |             |      |          |  |  |  |  |  |  |  |  |  |  |  |  |  |  |  |  |  |  |  |  |
|  | Zone      | Rev      | Description                           | Date                | Approved |  |  |  |  |  |  |           |  |  |  |  |      |     |             |      |          |  |  |  |  |  |  |  |  |  |  |  |  |  |  |  |  |  |  |  |  |
|  |           |          |                                       |                     |          |  |  |  |  |  |  |           |  |  |  |  |      |     |             |      |          |  |  |  |  |  |  |  |  |  |  |  |  |  |  |  |  |  |  |  |  |
|  |           |          |                                       |                     |          |  |  |  |  |  |  |           |  |  |  |  |      |     |             |      |          |  |  |  |  |  |  |  |  |  |  |  |  |  |  |  |  |  |  |  |  |
|  |           |          |                                       |                     |          |  |  |  |  |  |  |           |  |  |  |  |      |     |             |      |          |  |  |  |  |  |  |  |  |  |  |  |  |  |  |  |  |  |  |  |  |
|  |           |          |                                       |                     |          |  |  |  |  |  |  |           |  |  |  |  |      |     |             |      |          |  |  |  |  |  |  |  |  |  |  |  |  |  |  |  |  |  |  |  |  |
| Drawn  | iv        | 06/13/18 | Garden Light Stake   1/2" Pipe Female |                     |          |  |  |  |  |  |  |           |  |  |  |  |      |     |             |      |          |  |  |  |  |  |  |  |  |  |  |  |  |  |  |  |  |  |  |  |  |
| Checked  |           |          | Size                                  | Drawing No.         | Rev      |  |  |  |  |  |  |           |  |  |  |  |      |     |             |      |          |  |  |  |  |  |  |  |  |  |  |  |  |  |  |  |  |  |  |  |  |
| ENG Appr.  |           |          | <b>A</b>                              | <b>0001</b>         | <b>A</b> |  |  |  |  |  |  |           |  |  |  |  |      |     |             |      |          |  |  |  |  |  |  |  |  |  |  |  |  |  |  |  |  |  |  |  |  |
| MFR Appr.  |           |          | Scale                                 | CAD File            | Sheet    |  |  |  |  |  |  |           |  |  |  |  |      |     |             |      |          |  |  |  |  |  |  |  |  |  |  |  |  |  |  |  |  |  |  |  |  |
| QA   |           |          | <b>1 of 1</b>                         |                     |          |  |  |  |  |  |  |           |  |  |  |  |      |     |             |      |          |  |  |  |  |  |  |  |  |  |  |  |  |  |  |  |  |  |  |  |  |
| Construction: Aluminum   | Comments  |          |                                       |                     |          |  |  |  |  |  |  |           |  |  |  |  |      |     |             |      |          |  |  |  |  |  |  |  |  |  |  |  |  |  |  |  |  |  |  |  |  |